

Product # _____ Type _____ Date _____

Project Name _____

Project Location _____ Prepared By _____

Sport Star – SS

Construction

- Housing and lens frame are constructed from heavy-duty low copper die-cast aluminum. Standard finish is black polyester powder coat paint. Other finishes are available upon request.
- Structurally rigid and robust yoke with pivot adjustment for un-constrained adjustment without large swing.
- All external hardware and components are made of corrosion resistance materials and protective finishes.
- Cleverly engineered heat sink allows natural air to flow between heat fins to optimize thermal management of the LEDs and Optics.
- Modular component assemblies allow for quick replacement.
- Choice of Power – 750 or 960 watts.

Optical System

- Precisely designed modular TIR optics direct light where it is needed, reducing glare and spill light.
- Choice of optical beam distributions - 15°, 25° or 35°
- Glare Control: Choice of external glare control accessories are available. Please select them from the catalog ordering guide.

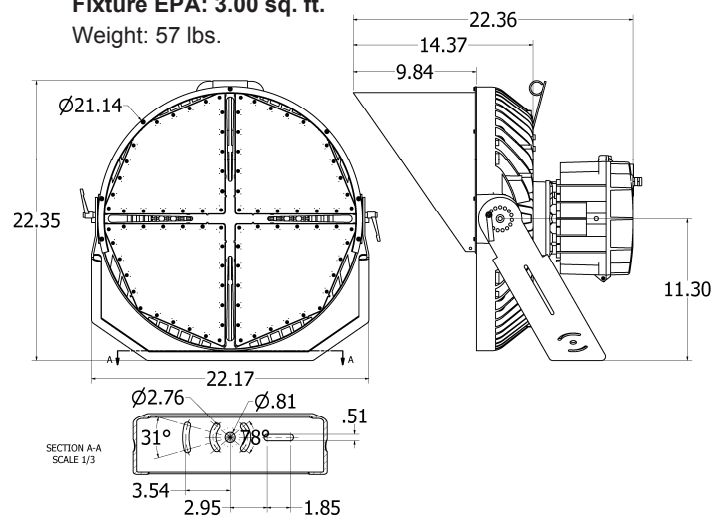
Product Applications

- Sports Stadium Lighting
- Stay Cable Bridge Lighting
- High Power Flood Lighting
- Cold Environment Flood Lighting
- High Mast Lighting
- Vibration Resistant Flood Lighting
- Very Narrow Flood Lighting

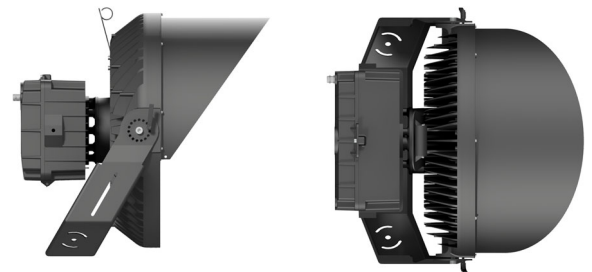


Fixture EPA: 3.00 sq. ft.

Weight: 57 lbs.



LED configuration shown for illustration purposes only.
Actual LED configuration may be different.



Due to continuing efforts to improve our products, North Star Lighting reserves the right to make changes to this product at any time without prior notice.



835 Industrial Drive, Elmhurst, IL 60126 708.681.4330 www.nslights.com

Sport Star – SS

Electrical Components

- **LED light Engine:** Designed and configured with Luxeon 5050/3535 high power, high lumen, consistent CCT LEDs. These modules enable high quality standards and ensure warranty replacement. These LED Module are mounted directly to the highly conductive aluminum die-cast heat-sink. The LEDs operate below 85°C case temperature and deliver superior maintained illumination per LM80 L80 standards. Please refer to the LED Performance Data table for the targeted LED illumination life at 25°C to 50° C luminaire outside ambient temperature. The choice of color temperatures (3000K, 4000K and 5000K) are available to match your intended application.
- **LED Drivers:** UL/CSA recognized component to meet UL8750 & EN61347 (USR/CNR -E328335). Suitable for input power at 120-277VAC 50/60Hz. See Rated input power table for input voltage and current ratings.
- **Power connection:** A 6-foot long outdoor rated water and oil resistant cable shall be provided for electrical power and dimming data connections. Wiring is to be connected to the nearest outdoor rated IP66 junction box (By Others).

Mounting

- Choice of three different mounting methods available (Please refer to the ordering guide)
- Adjustable Yoke mounting provides luminaire aiming adjustability for vertical or horizontal aiming.
- Horizontal 180 degree aiming bracket (SB-2).
- 2" Tenon Mount (SB-5) – slip fitter adder to the yoke.
- Clamp Mount on Pipe (SB-3) – Utilizes 2 U-bolts to secure luminaire to 2 to 3-inch diameter pipes.

Dimming Controls

- Standard: Interface for 0 – 10V Dimming

Safety Compliance

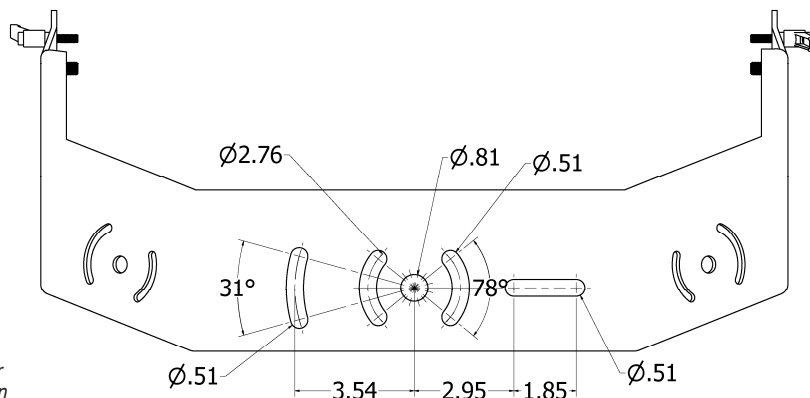
- UL 1598 and CSA C22.2 NO. 250.0 standards.
- Suitable for indoor/outdoor wet (IP66) or damp location use.
- Operating Temperature Range: -40 C° to 50 C°

Warranty

- Limited 5 years
- LED: L80 60,500 hours at 50 C° ambient
- LED Driver: limited 5 years

Mounting Options

Yoke Mounting Dimensions



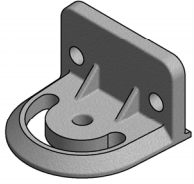
Due to continuing efforts to improve our Lighting reserves the right to make changes without prior notice.



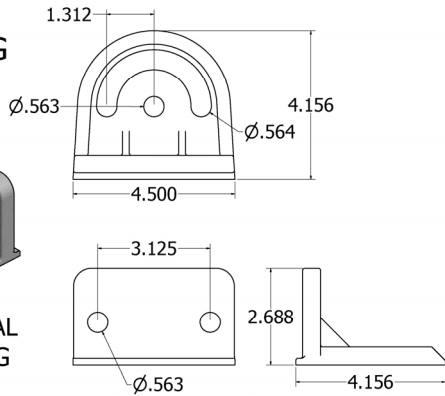
Sport Star – SS

Mounting Accessories

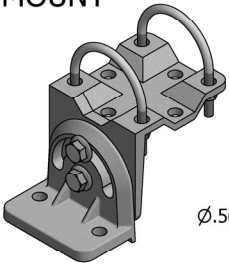
SB-2 MOUNTING BRACKET



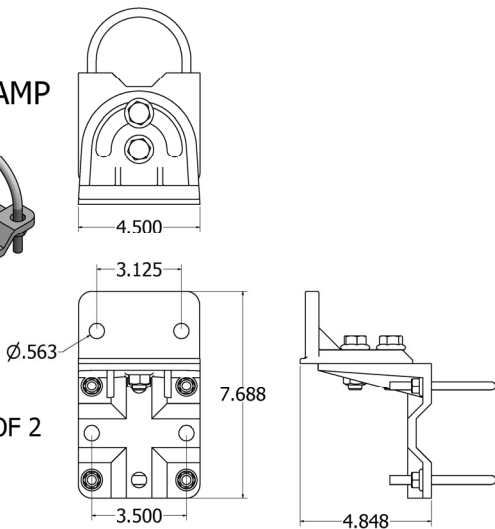
FOR HORIZONTAL YOKE MOUNTING



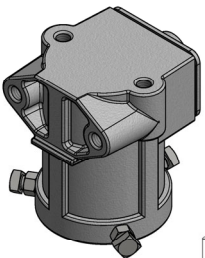
SB-3 PIPE CLAMP MOUNT



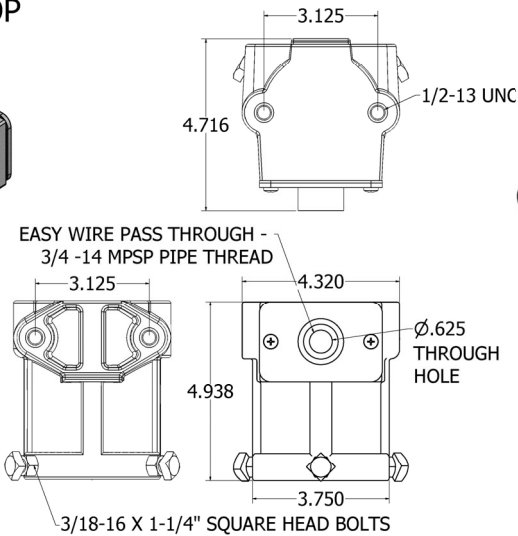
FOR PIPE SIZES OF 2 TO 3 INCHES



SB-5 POLE TOP SLIP-FITTER



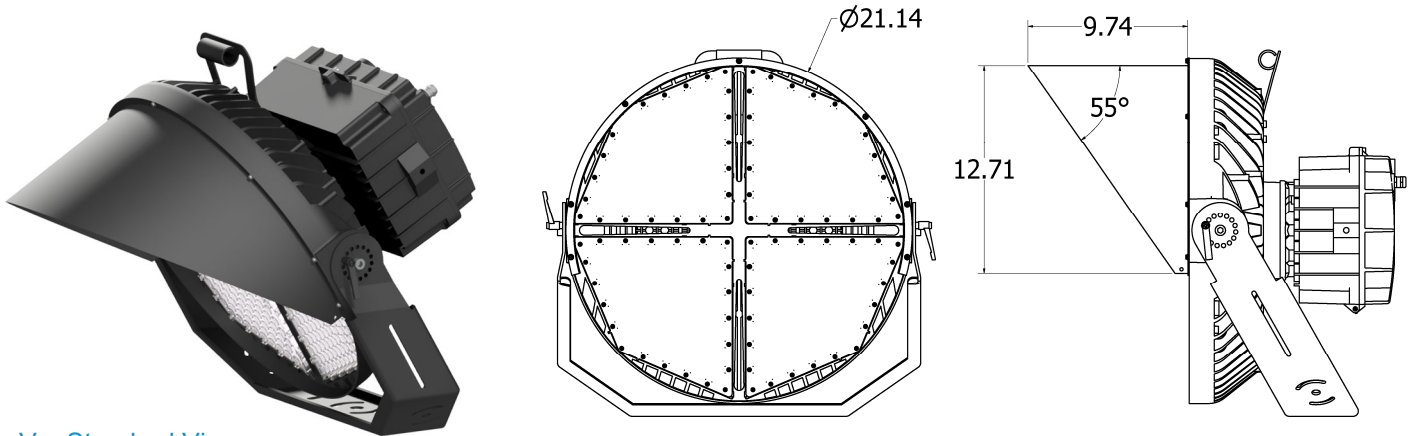
FITS 2" TO 2-1/2" PIPE (2 3/8" TO 2 7/8" OD)



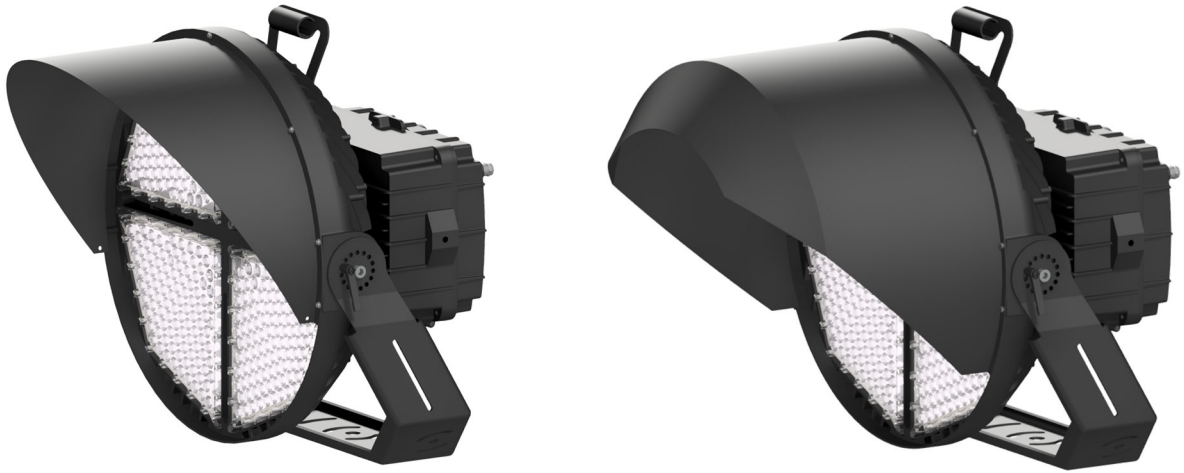
Due to continuing efforts to improve our products, North Star Lighting reserves the right to make changes to this product at any time without prior notice.

Sport Star – SS

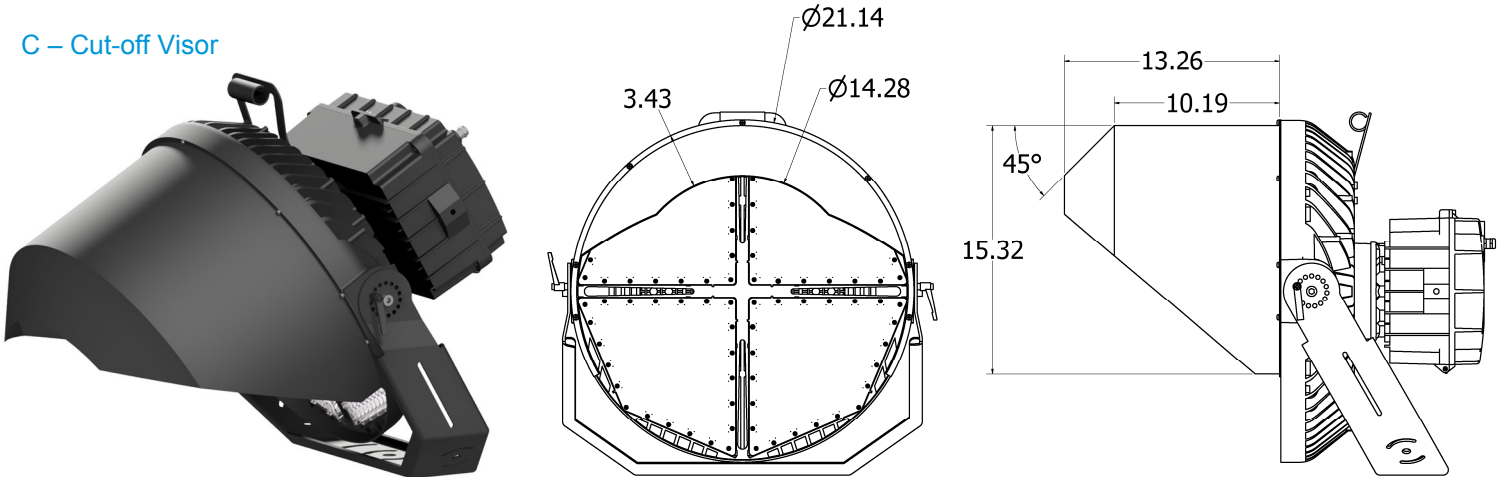
Glare Control Accessories



V – Standard Visor



C – Cut-off Visor



Due to continuing efforts to improve our products, North Star Lighting reserves the right to make changes to this product at any time without prior notice.

Star Beam LED

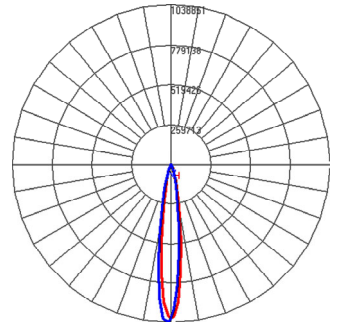
Product Specifications

SPORT STAR Luminaire offers an all-star champion luminaire that is compatible with sports friendly lighting controls allowing complete dimming control of light levels. Our Technical team is available for support and integration for the latest lighting control systems.

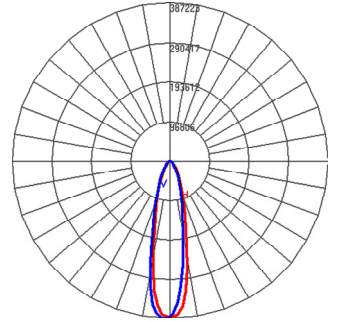
Product Performance and Ratings

Model No →	SS-750W	SS-960W
System Nominal Watts	750W	960W
Delivered Lumen Output (5000K @ Tj 105C)		
15° Beam	100,231	123,425
25° Beam	111,811	132,986
35° Beam	112,226	136,957
Input Voltage Options	100-277V OR 240-480V	100-277V OR 240-480V
Ambient Temp. Range	-40 to 50 degree C	-40 to 50 degree C
LED Color Temp. Range	3000K / 4000K / 5000K	3000K / 4000K / 5000K
Light Beam Spread @ 50% of max. Cd.	15° / 25° / 35°	15° / 25° / 35°
Housing/Enclosure IP Rating	IP66	IP66
Physical Dimensions	21.50" Diameter X 10.85" Deep	21.50" Diameter X 10.85" Deep
Equivalent Projected Area (EPA, SQ. FT)	3.0	3.0
Weight	57 lb.	57 lb.
Safety Certification	UL1598/CSA C22.2 #250; Outdoor Wet Location	UL1598/CSA C22.2 #250; Outdoor Wet Location

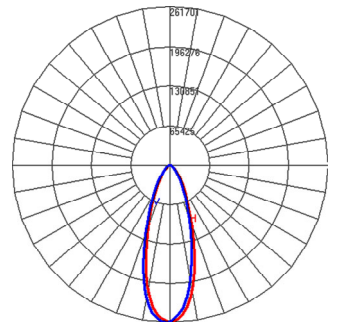
D15 – 15° Beam Distribution



D25 – 25° Beam Distribution



D35 – 35° Beam Distribution



* For 3000k, reduce lumens by 4% and for 4000K, reduce lumens by 2%

Due to continuing efforts to improve our products, North Star Lighting reserves the right to make changes to this product at any time without prior notice.



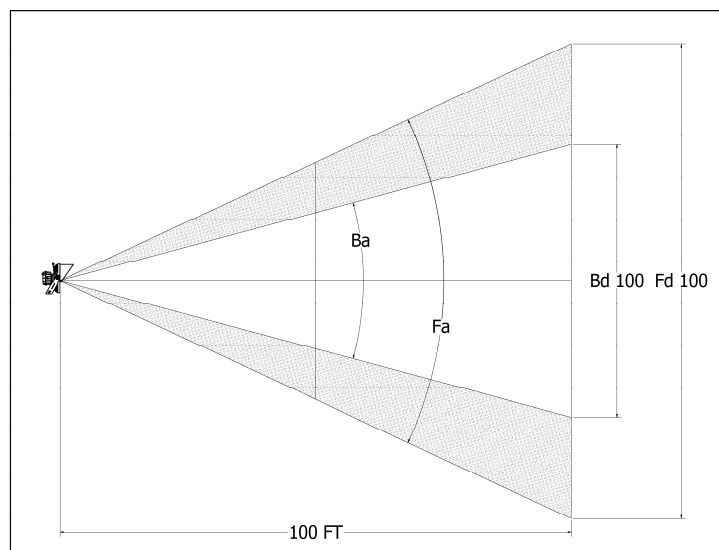
835 Industrial Drive, Elmhurst, IL 60126 708.681.4330 www.nslights.com

Photometric Application Data

SS-750W			
Performance Values	Optic D15	Optic D25	Optic D35
NEMA Classification	3HX3V	4HX4V	5HX5V
Maximum Center Candela Cd-max	816,330	329,086	209,348
Maximum Center Fc @100 ft - Fc100	81.63	32.91	20.93
Beam Angle @ 50% of Max. Fc - Ba degrees	15.2	24.1	35
Field Angle @ 10% of Max Fc - Fa degrees	34.1	59.8	74.6
Beam Diameter in feet @100 ft - Bd100	26.68	42.69	63.06
Field Diameter in feet @100 ft - Fd100	61.33	115.00	152.35

SS-960W			
Performance Values	Optic D15	Optic D25	Optic D35
NEMA Classification	3HX3V	4HX4V	5HX5V
Maximum Center Candela Cd-max	1,038,851	387,223	261,701
Maximum Center Fc @100 ft - Fc100	103.89	38.72	26.17
Beam Angle @ 50% of Max. Fc - Ba degrees	15.2	24.1	35
Field Angle @ 10% of Max Fc - Fa degrees	34.1	59.8	74.6
Beam Diameter in feet @100 ft - Bd100	26.68	42.69	63.06
Field Diameter in feet @100 ft - Fd100	61.33	115.00	152.35

NOTE: SEE PHOTOMETRIC APPLICATION DATA FOR SPECIFIC BEAM INFORMATION



Due to continuing efforts to improve our products, North Star Lighting reserves the right to make changes to this product at any time without prior notice.

Sport Star – SS



Model Number	LED Power (Watts)	CCT Color Temperature	Light Beam Distribution (FWHM)	Input voltage (VAC)	Lighting Controls	Mounting Options	Glare Control
SS	750	3K - 3000 K	D15 - 15° Beam	U - 120V-277V	ND - Non-Dimming	Y - Yoke	V - Standard Visor
	960	4K - 4000 K	D25 - 25° Beam	V1 - 347V	DM - 0-10 VDC Dimming Interface Only	SB-2 - Horizontal 180° Aiming Bracket	C - Cut-off Visor
		5k - 5000 K	D35 - 35° Beam	V2 - 480V		SB-3 - 2" Pipe clamp mount	
		XK - Specify CCT or single Color*				SB-5 - 2" Tenon Slipfitter	

Due to continuing efforts to improve our products, North Star Lighting reserves the right to make changes to this product at any time without prior notice.

