

Product # _____ Type _____ Date _____

Project Name _____

Project Location _____ Prepared By _____

LED Linear Wallwasher

Specifications

- Linear type surface Wall/Ceiling/Ground mounted luminaire with specification grade optical performance using high efficacy LED. Typical use is for wall grazing, spot or floodlighting with adjustable aiming and variety of different beam types.

Housing

- Low copper, corrosion resistant, Extruded aluminum construction. One-piece silicone gasket ensures water-tight and dust-tight construction. Available in four lengths.

Optical system

- Clear tempered glass lens enclosed in the housing and sealed with extruded rubber gasket. Ultra-high efficiency TIR optics provides variety of different beam types. Optical performance is enhanced by high 95% reflecting collimating reflectors. Available beam types are Narrow, Medium, Wide, Elliptical Horizontal, Elliptical Vertical, and Asymmetric.

Electrical

- High power LED source, with performance of greater than 95 lumens per watt. Available in range of Color Temperature 3000K-5000K, CRI of 70 or greater. 2700K available on request.

LED Drivers

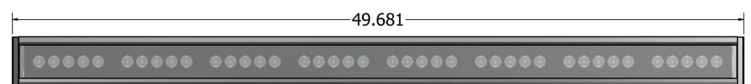
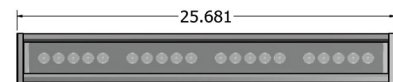
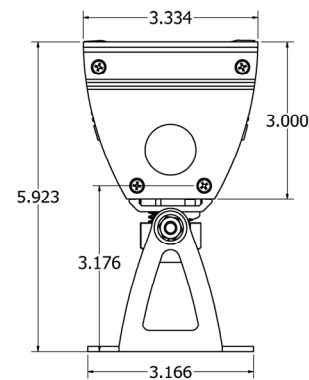
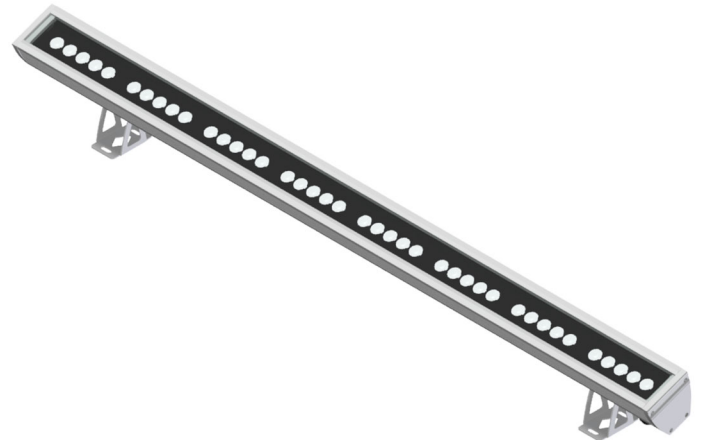
- UL/CSA recognized component to meet UL8750 & EN61347 (USR/CNR -E328335). Suitable for input power at 120-277VAC. Minimum power factor >0.95. Integrated 10kV/5kA surge protection device.

Finish

- Standard finish is a charcoal gray powder coat paint.

Warranty and Certifications

- 5 years for LED Light Engine and Driver 50,000-hour L70 LED Illumination per LM-80 Standards. In compliance with UL 1598 and CSA C22.2 NO. 250.0 standards. Suitable for indoor/ outdoor wet (IP65) or damp location use.



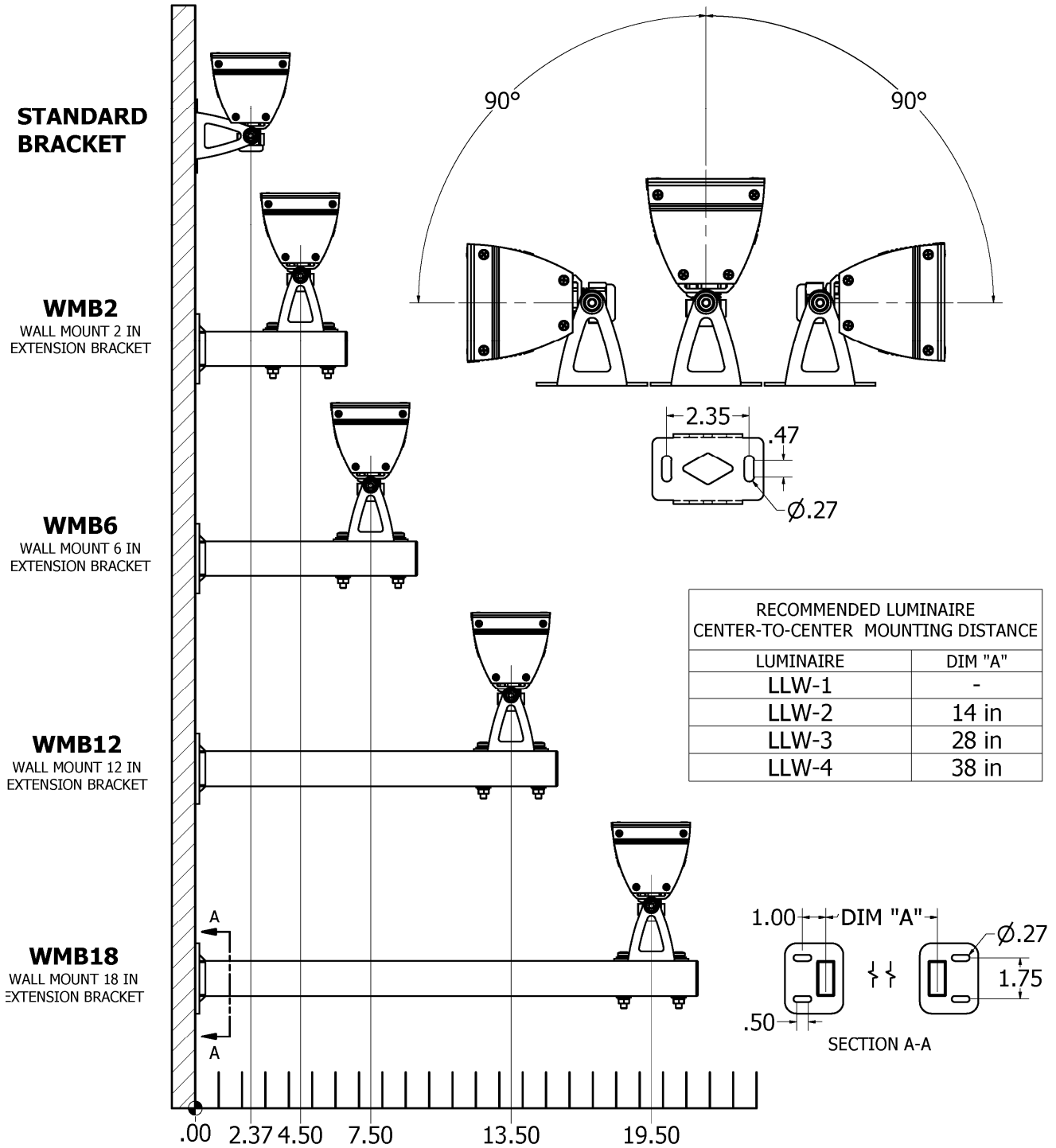
Due to continuing efforts to improve our products, North Star Lighting reserves the right to make changes to this product at any time without prior notice.



835 Industrial Drive, Elmhurst, IL 60126 708.681.4330 www.nslights.com

LED Linear Wallwasher

Mounting Options



Due to continuing efforts to improve our products, North Star Lighting reserves the right to make changes to this product at any time without prior notice.



LED Linear Wallwasher

Targeted LED Performance

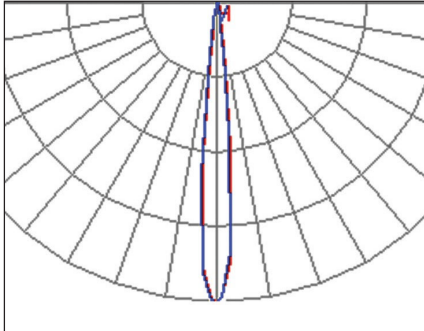
LUMINAIRE DATA @ 85 DEGREE C. Tj

Cree LM80 Projected Life Hours per IESNA TM21-11

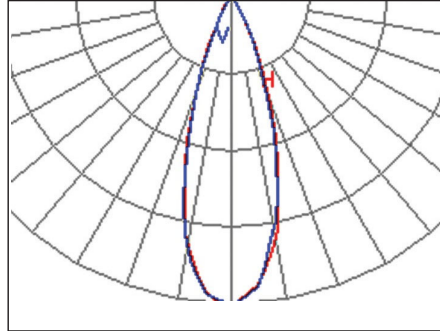
BASIC MODEL NO	Number of LEDs	LED Color Temp.	LED Watts	Output Lumens	Cree LM80 Projected Life Hours per IESNA TM21-11					
					At 25-degree C, Luminaire Ambient		At 40-degree C, Luminaire Ambient		At 50-degree C, Luminaire Ambient	
					L80(10K) Life Hours	Ts-Degree C	L80(10K) Life Hours	Ts-Degree C	L80(10K) Life Hours	Ts-Degree C
LLW1	10	5000		2073	Greater than 60,000	Under 105	Greater than 60,000	Under 105	Greater than 60,000	Under 105
	10	4000	20	2032						
	10	3000		1969						
LLW2	20	5000		4147	Greater than 60,000	Under 105	Greater than 60,000	Under 105	Greater than 60,000	Under 105
	20	4000	40	4064						
	20	3000		3940						
LLW3	30	5000		6220	Greater than 60,000	Under 105	Greater than 60,000	Under 105	Greater than 60,000	Under 105
	30	4000	60	6096						
	30	3000		5909						
LLW4	40	5000		8294	Greater than 60,000	Under 105	Greater than 60,000	Under 105	Greater than 60,000	Under 105
	40	4000	80	8128						
	40	3000		7879						

Photometrics

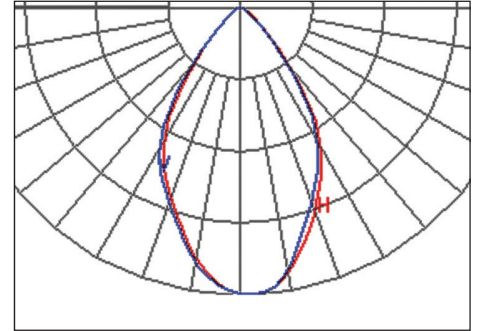
Narrow 10° – D10 Polar Curve



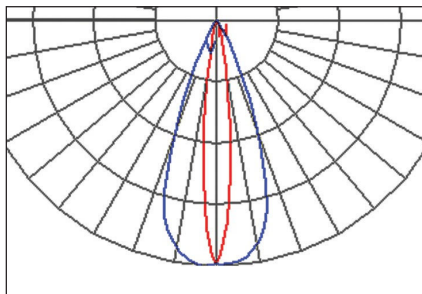
Medium 30° – D30 Polar Curve



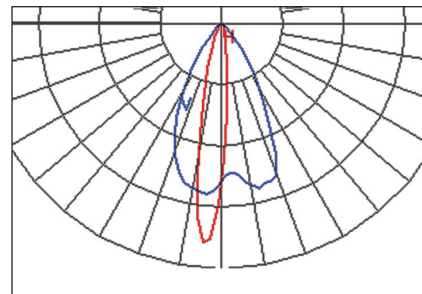
Wide 60° – D60 Polar Curve



OVAL Hor. OR Vert. ELH/ELV Polar Curve



Asymmetric Oval ASY Polar



NOTE: SEE PHOTOMETRIC APPLICATION DATA FOR SPECIFIC BEAM

Due to continuing efforts to improve our products, North Star Lighting reserves the right to make changes to this product at any time without prior notice.

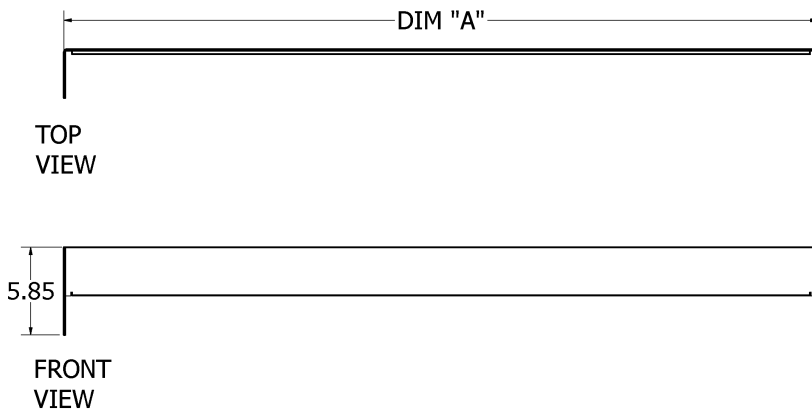


835 Industrial Drive, Elmhurst, IL 60126 708.681.4330 www.nslights.com

LED Linear Wallwasher

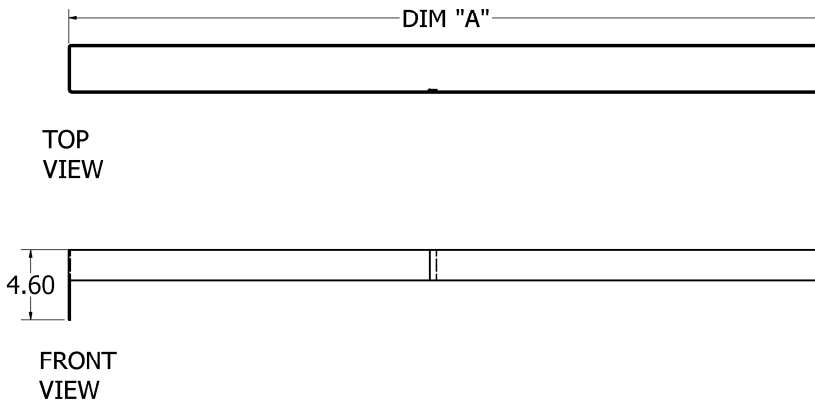
Glare Control Accessories

VISOR



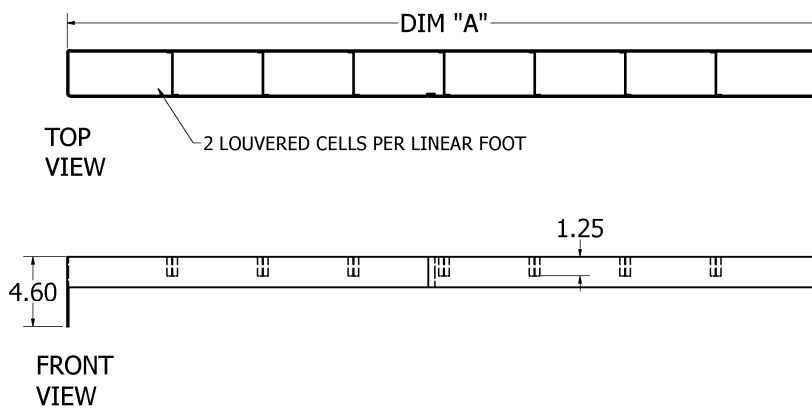
PART VARIATIONS	
PART NUMBER	DIM "A"
LLW-1	13.95 IN
LLW-2	25.95 IN
LLW-3	37.95 IN
LLW-4	49.95 IN

REGULAR HOOD



PART VARIATIONS	
PART NUMBER	DIM "A"
LLW-1	13.95 IN
LLW-2	25.95 IN
LLW-3	37.95 IN
LLW-4	49.95 IN

CROSS LOUVERED HOOD



PART VARIATIONS	
PART NUMBER	DIM "A"
LLW-1	13.95 IN
LLW-2	25.95 IN
LLW-3	37.95 IN
LLW-4	49.95 IN

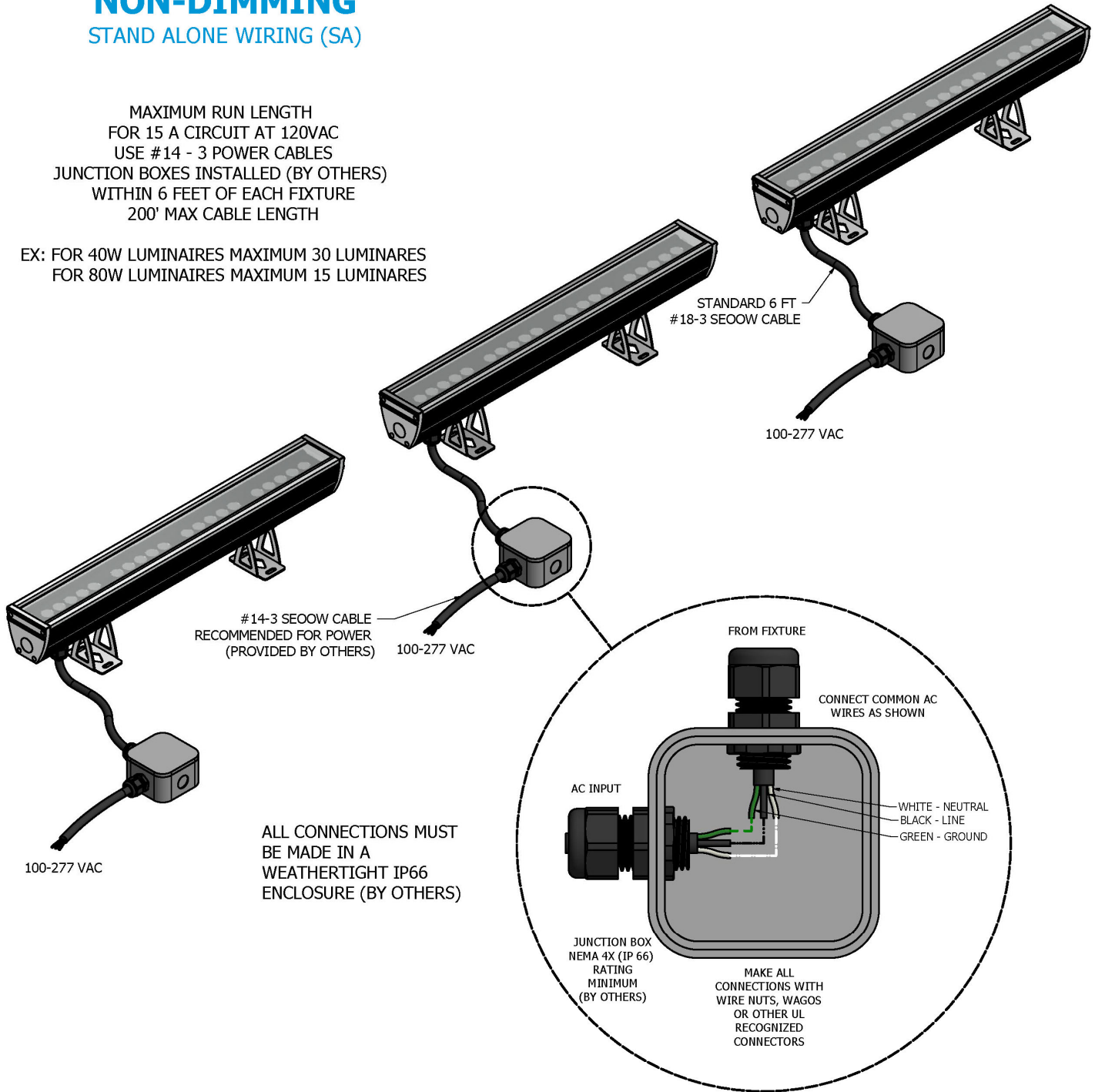
Due to continuing efforts to improve our products, North Star Lighting reserves the right to make changes to this product at any time without prior notice.

LED Linear Wallwasher

WIRING DIAGRAM - NON-DIMMING STAND ALONE WIRING (SA)

MAXIMUM RUN LENGTH
FOR 15 A CIRCUIT AT 120VAC
USE #14 - 3 POWER CABLES
JUNCTION BOXES INSTALLED (BY OTHERS)
WITHIN 6 FEET OF EACH FIXTURE
200' MAX CABLE LENGTH

EX: FOR 40W LUMINAIRES MAXIMUM 30 LUMINAIRES
FOR 80W LUMINAIRES MAXIMUM 15 LUMINAIRES



Due to continuing efforts to improve our products, North Star Lighting reserves the right to make changes to this product at any time without prior notice.



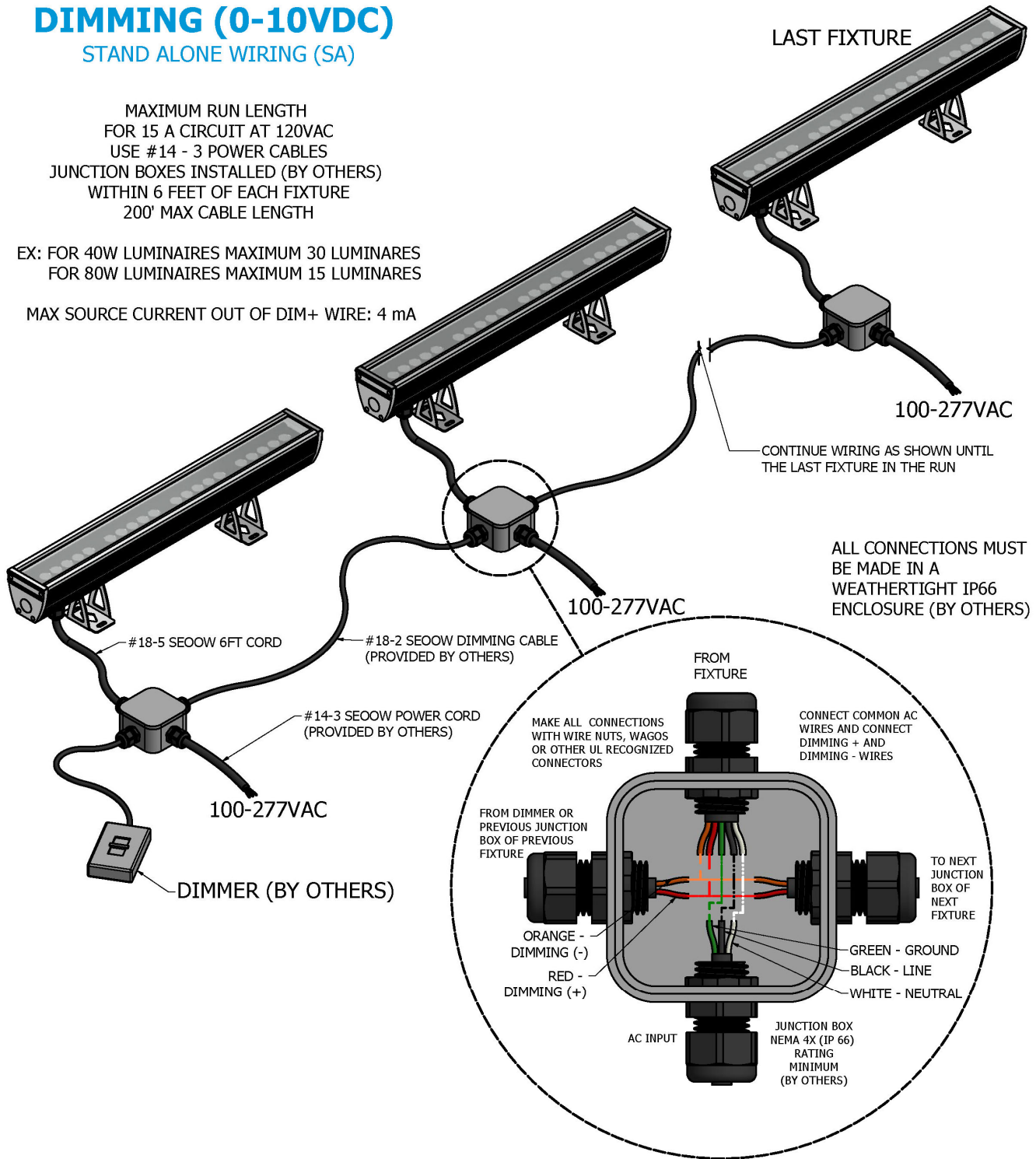
LED Linear Wallwasher

WIRING DIAGRAM - DIMMING (0-10VDC) STAND ALONE WIRING (SA)

MAXIMUM RUN LENGTH
FOR 15 A CIRCUIT AT 120VAC
USE #14 - 3 POWER CABLES
JUNCTION BOXES INSTALLED (BY OTHERS)
WITHIN 6 FEET OF EACH FIXTURE
200' MAX CABLE LENGTH

EX: FOR 40W LUMINAIRES MAXIMUM 30 LUMINAIRES
FOR 80W LUMINAIRES MAXIMUM 15 LUMINAIRES

MAX SOURCE CURRENT OUT OF DIM+ WIRE: 4 mA



Due to continuing efforts to improve our products, North Star Lighting reserves the right to make changes to this product at any time without prior notice.

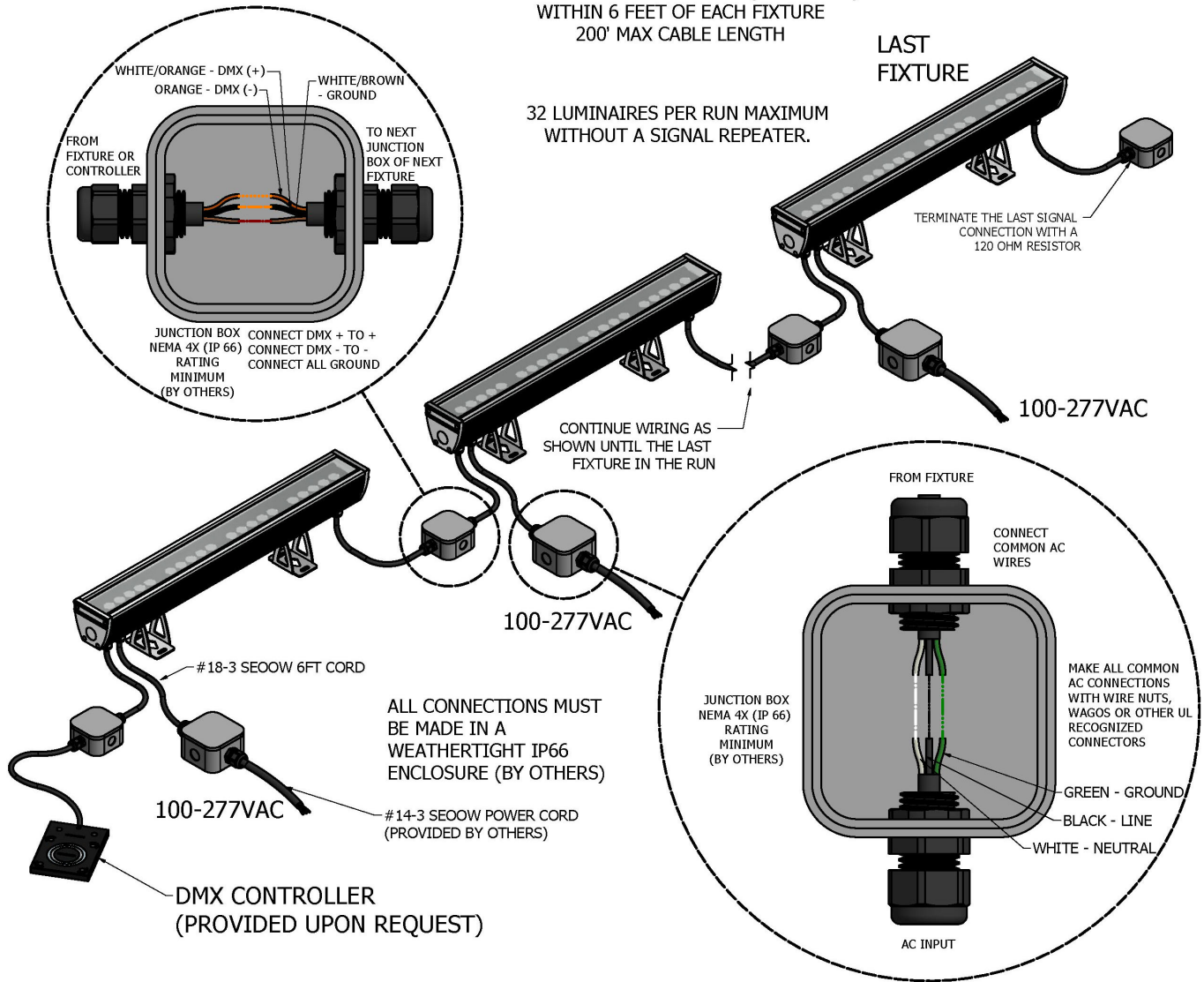


835 Industrial Drive, Elmhurst, IL 60126 708.681.4330 www.nslights.com

LED Linear Wallwasher

WIRING DIAGRAM - DIMMING (DMX) STAND ALONE WIRING (SA)

MAXIMUM RUN LENGTH
FOR 15 A CIRCUIT AT 120VAC
USE #14 - 3 POWER CABLES
JUNCTION BOXES INSTALLED (BY OTHERS)
WITHIN 6 FEET OF EACH FIXTURE
200' MAX CABLE LENGTH



RECOMMENDED DMX CABLE - BELDEN 7919A
OUTDOOR RATED 24AWG BARE COPPER - 4
TWISTED PAIRS, OVERALL FOIL SHIELDED

NOTE: MAXIMUM TOTAL SIGNAL WIRE MUST NOT BE
GREATER THAN 1000 FEET WITHOUT A SIGNAL
REPEATER

NOTE: DMX WIRING MUST BE DONE IN SERIES
AS SHOWN. USING A Y-SPLIT CONNECTION IS
NOT RECOMMENDED. Y-SPLIT WIRING FOR DMX
IS NOT RELIABLE. IF A Y-SPLIT MUST BE MADE, A
SIGNAL REPEATER MUST USED TO SPLIT THE
SIGNAL.

*Due to continuing efforts to improve our products, North Star
Lighting reserves the right to make changes to this product at any
time without prior notice.*



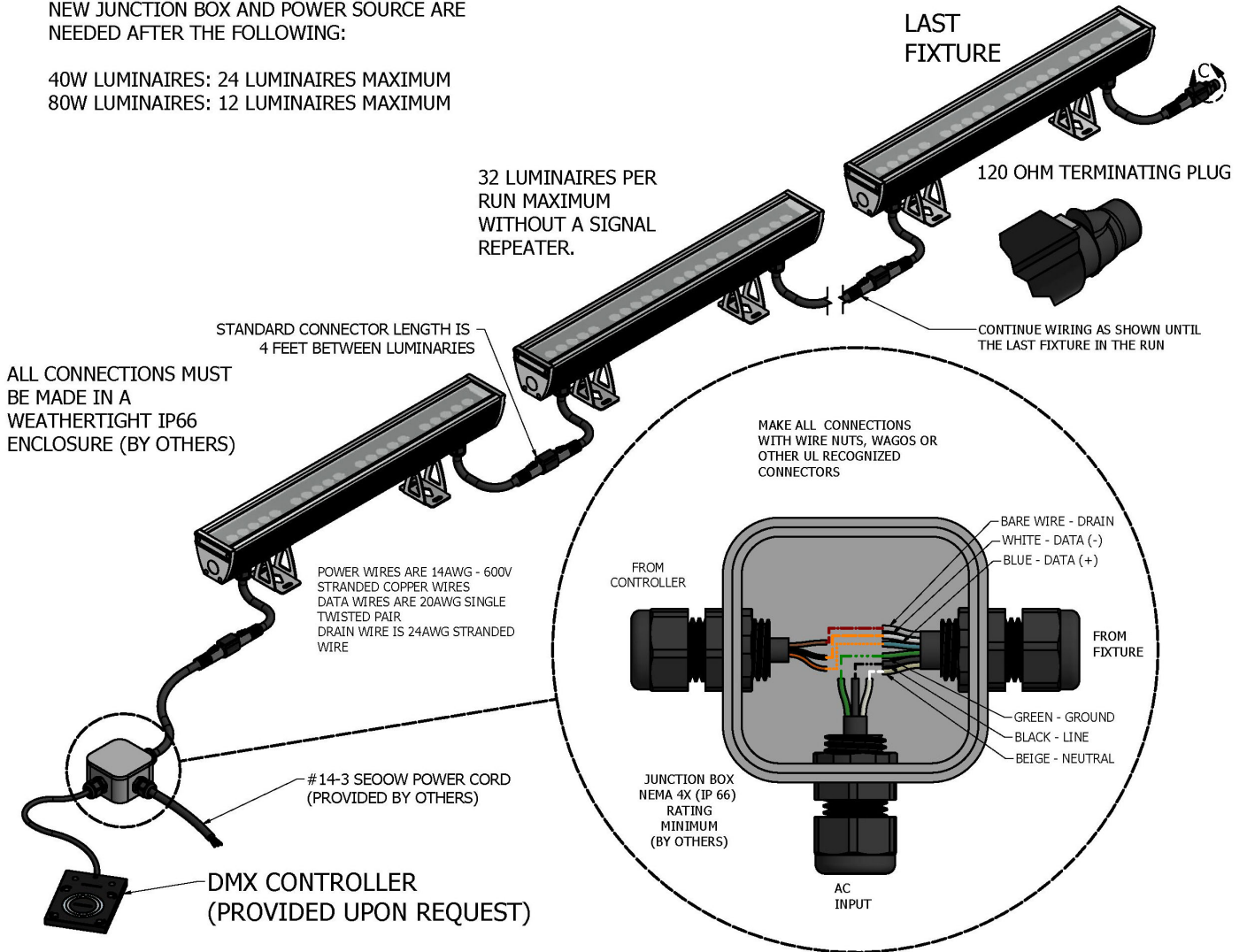
835 Industrial Drive, Elmhurst, IL 60126 708.681.4330 www.nslights.com

LED Linear Wallwasher

WIRING DIAGRAM - DIMMING (DMX) SIDE-BY-SIDE WIRING (SB)

NOTE: DUE TO WIRE CURRENT LIMITATIONS A NEW JUNCTION BOX AND POWER SOURCE ARE NEEDED AFTER THE FOLLOWING:

40W LUMINAIRES: 24 LUMINAIRES MAXIMUM
80W LUMINAIRES: 12 LUMINAIRES MAXIMUM



RECOMMENDED DMX CABLE - BELDEN 7919A
OUTDOOR RATED 24AWG BARE COPPER - 4
TWISTED PAIRS, OVERALL FOIL SHIELDED

NOTE: MAXIMUM TOTAL SIGNAL WIRE MUST NOT BE
GREATER THAN 1000 FEET WITHOUT A SIGNAL
REPEATER

NOTE: DMX WIRING MUST BE DONE IN SERIES
AS SHOWN. USING A Y-SPLIT CONNECTION IS
NOT RECOMMENDED. Y-SPLIT WIRING FOR DMX
IS NOT RELIABLE. IF A Y-SPLIT MUST BE MADE, A
SIGNAL REPEATER MUST USED TO SPLIT THE
SIGNAL.

Due to continuing efforts to improve our products, North Star Lighting reserves the right to make changes to this product at any time without prior notice.



835 Industrial Drive, Elmhurst, IL 60126 708.681.4330 www.nslights.com

LED Linear Wallwasher

Ordering Guide

- - - - - - - -

Luminaire Catalog Number		Catalog Adder				Options		
Model Number	Power Consumption (Watts)	LED CCT	Beam Distribution	Input Voltage (VAC)	Lighting Controls	Luminaire Configuration	Luminaire Mounting	Glare Control
LLW1	10	3K - 3000 K	D10 - 10° Narrow Beam	U - 120V-277V	ND - Non-Dimming	SA - Stand Alone	S - Standard Bracket	V - Visor
	20	4K - 4000 K	D30 - 30° Medium Beam		DM - 0-10 VDC (Dim to Off) Interface Only	SB - Side-By-Side	02 - 2" Wall Mount Bracket	H- Hood
LLW2	20	5k - 5000 K	D60 - 60° Wide Beam		DMX - DMX Dim Interface Only**		06 - 6" Wall Mount Bracket	C - Cross Louver
	40	XK - Specify CCT or single Color*	ELH - Elliptical Horizontal Beam				12 - 12" Wall Mount Bracket	
LLW3	30		ELV - Elliptical Vertical Beam				18 - 18" Wall Mount Bracket	
	60		ASY - Asymmetric Beam					
LLW4	40							
	80							

**Contact North Star Lighting for Availability and lead-times.

Due to continuing efforts to improve our products, North Star Lighting reserves the right to make changes to this product at any time without prior notice.



835 Industrial Drive, Elmhurst, IL 60126 708.681.4330 www.nslights.com