

Product # _____ Type _____ Date _____

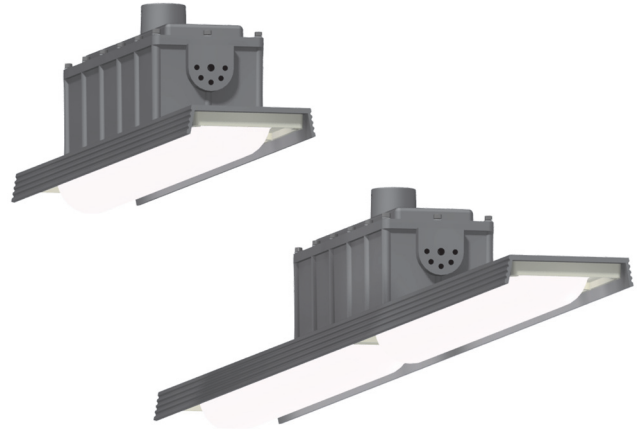
Project Name _____

Project Location _____ Prepared By _____

EX H Series

Construction

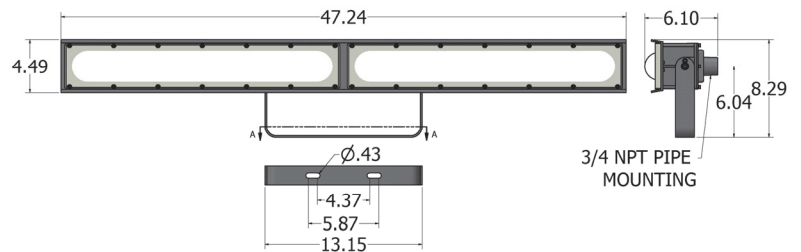
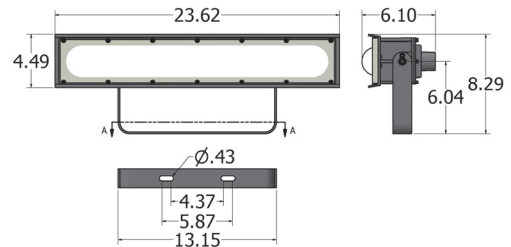
The copper free aluminum alloy body is powder coated for added durability and an attractive aesthetic appearance. Special heat dissipating design in conjunction with LED technology helps this fixture to achieve an excellent 50,000 hour rated life span with 80% lumen retention. Light weight and a low profile make this unit an attractive alternative to larger and heavier older fixtures and require less hardware to install.



Applications

This Luminaire can be utilized as a High Bay or Flood Light and can be Pole, wall or Ceiling Mounted. Recommended for Locations with high humidity, temperature and large amounts of Vapor and dust particles. Such as:

- Petroleum Production & Refining
- Petroleum loading & Transport
- Petroleum Storage & Retail
- Paint Facilities
- Pumping Stations
- Metal Smelting, Foundry and Fabrication
- Mining Operations & Service
- Ocean Platform Operational Facilities & Structure
- Aerospace clean Room and Production
- Chemical Production & Storage
- Ocean Vessel Operations
- Military Spec. Conditions
- Flour & Fine Particle Production and Storage
- Food & Distilling Production
- Electrical Power Generation & Stations



Due to continuing efforts to improve our products, North Star Lighting reserves the right to make changes to this product at any time without prior notice.

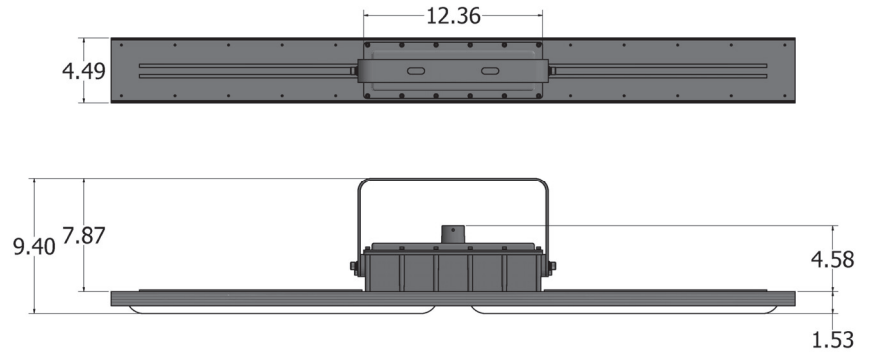


835 Industrial Drive, Elmhurst, IL 60126 708.681.4330 www.nslights.com

EX H Series

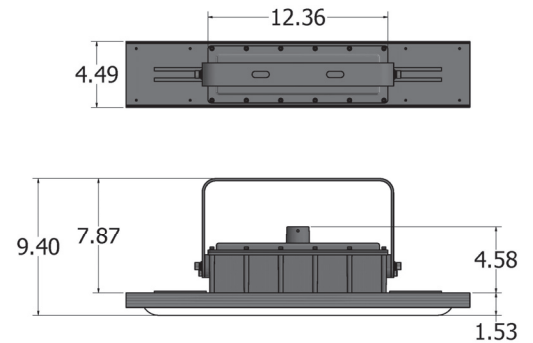
Ratings and Certifications

- UL 1598/UL 1598A/UL 844
- CSA C22.2 No. 137/No. 250.0
Class I, Division 2, Groups A, B, C, D
Class II, Division 1, Groups E, F, G
Class II, Division 2, Groups E, F, G
Class III
- Marine and Wet Locations
- NEMA 4X, IP66
- IECEX
- ATEX



Performance

- Luminaire Efficiency: 140 Lumens/Watt
- Input Voltage: 120-277/200-480 VAC
50/60 Hz
- Power Factor: >0.9
- LED CRI: >70
- LED CCT: 3000K, 4000K, 5000K
- Beam Distribution: 120°
- L70 Rating: More than 150,000 Hours
- Ambient Temp: -40° C to 50° C



Product Specifications

Model	Power (W)	Input Voltage	Lumens	Lumens/Watt	CCT	CRI	Beam Angle
H2	20	120-277/200-480	2800	140	3K/4K/5K	70	120
H2	40	120-277/200-480	5600	140	3K/4K/5K	70	120
H4	40	120-277/200-480	5600	140	3K/4K/5K	70	120
H4	60	120-277/200-480	8400	140	3K/4K/5K	70	120
H4	80	120-277/200-480	11200	140	3K/4K/5K	70	120

Due to continuing efforts to improve our products, North Star Lighting reserves the right to make changes to this product at any time without prior notice.

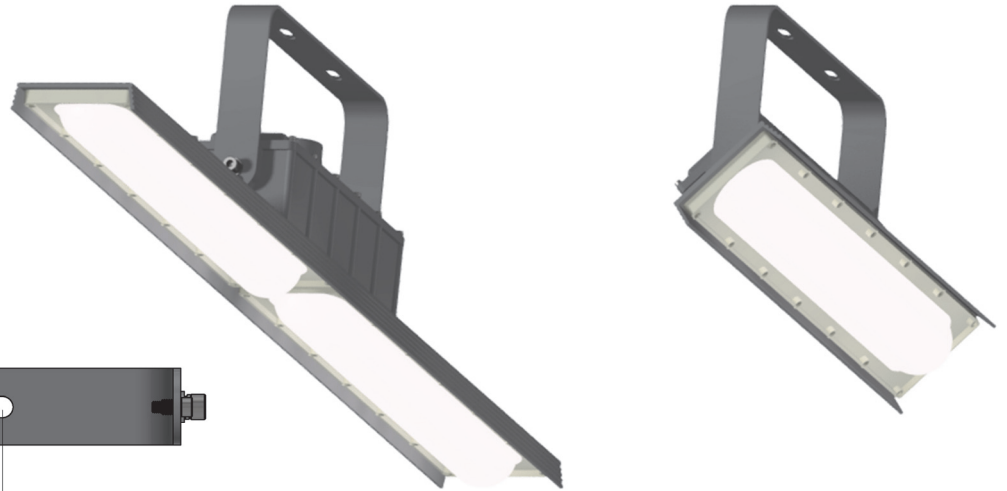
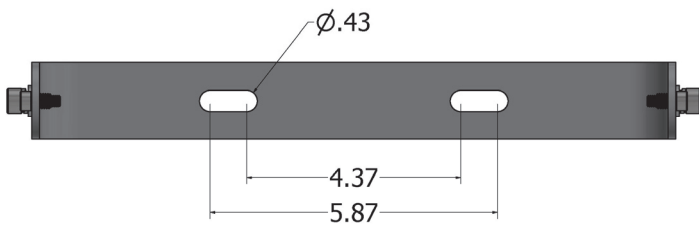


835 Industrial Drive, Elmhurst, IL 60126 708.681.4330 www.nslights.com

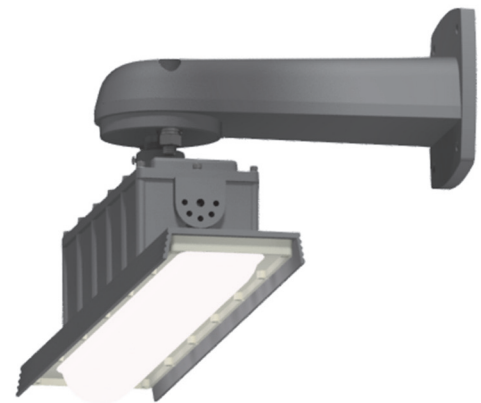
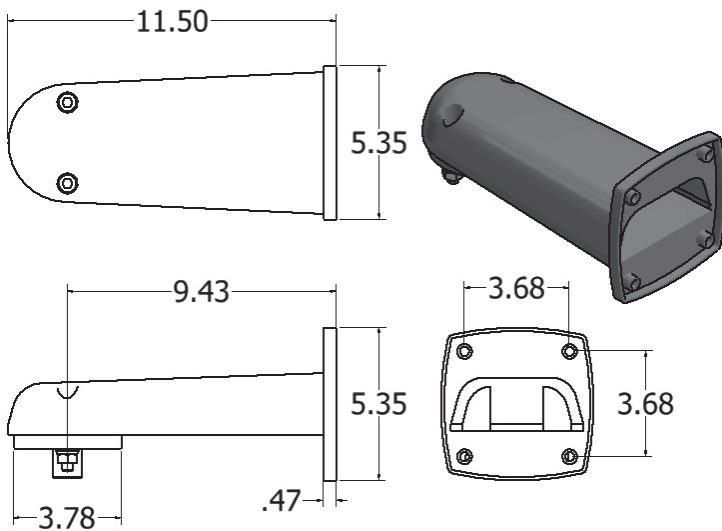
EX H Series

Mounting Options

Yoke Mounting (Y)



Wall Mount Bracket 90 degrees (WM90)



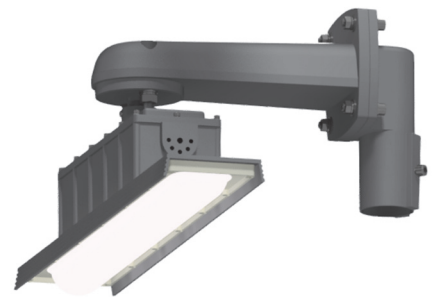
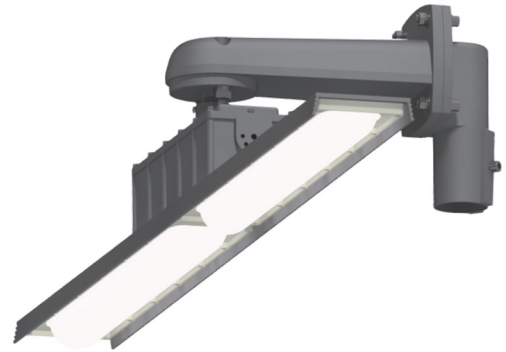
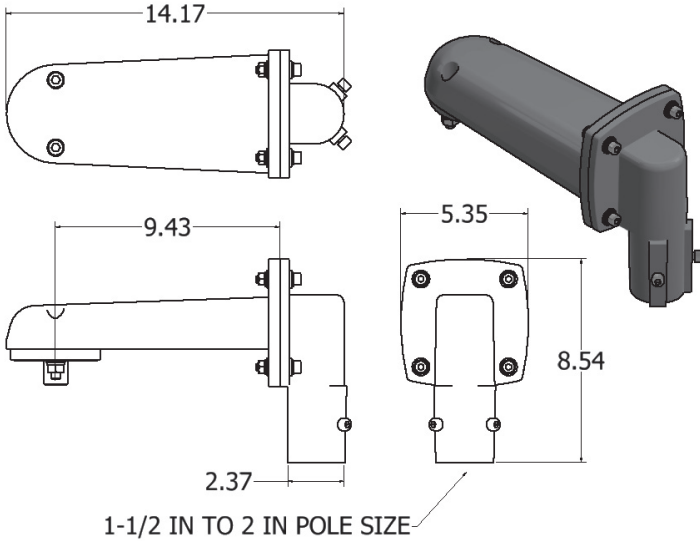
Due to continuing efforts to improve our products, North Star Lighting reserves the right to make changes to this product at any time without prior notice.



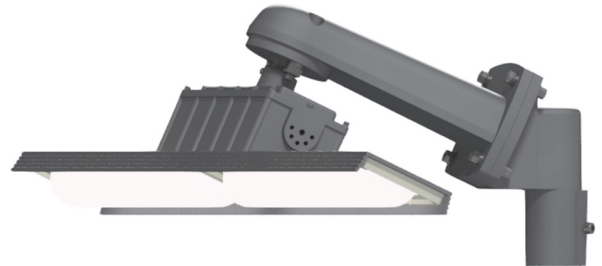
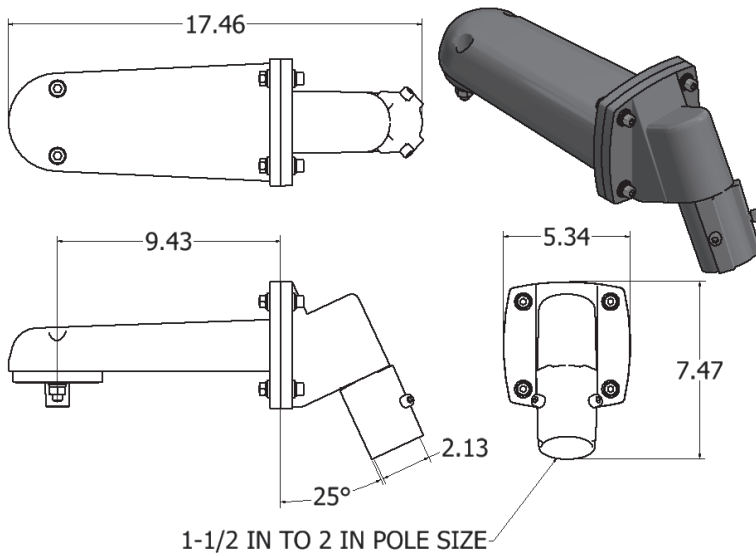
835 Industrial Drive, Elmhurst, IL 60126 708.681.4330 www.nslights.com

EX H Series

Pole Stanchion 90 Degrees (S90)



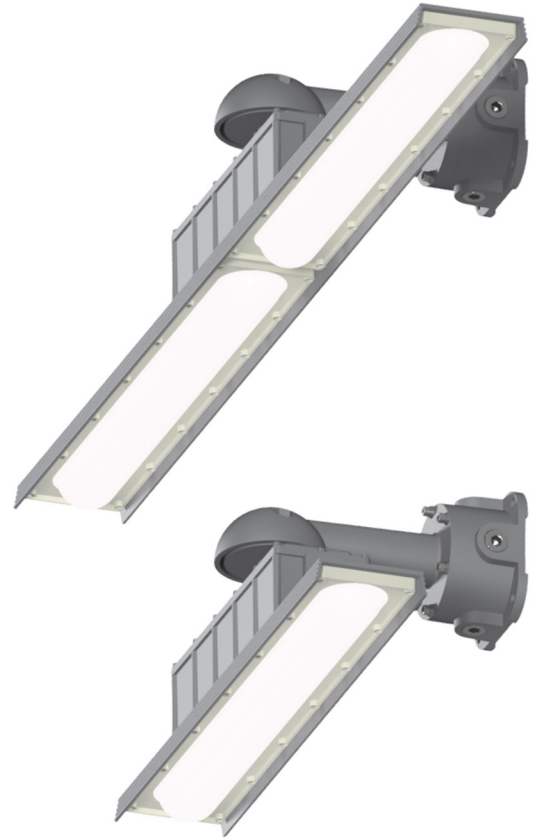
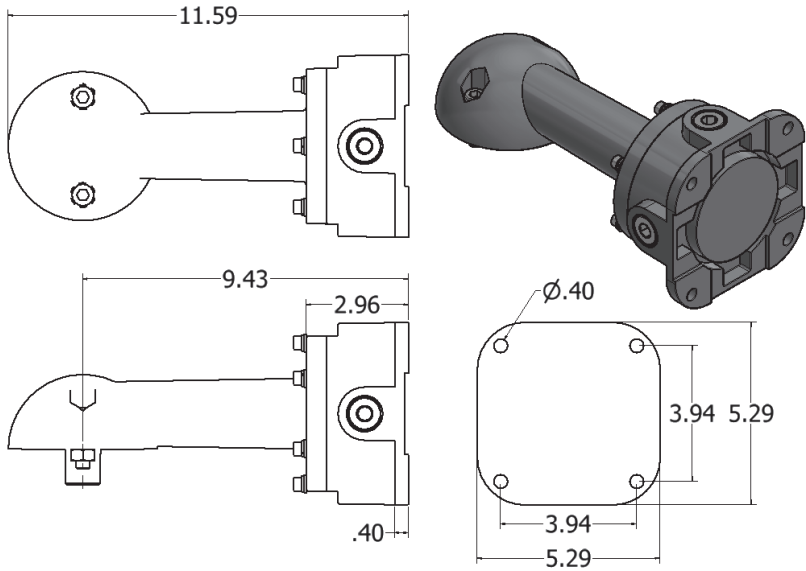
Pole Stanchion 25 Degrees (S25)



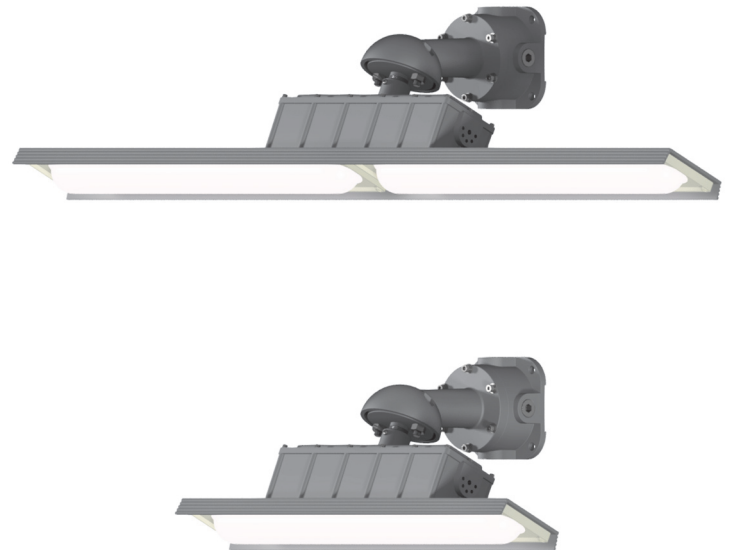
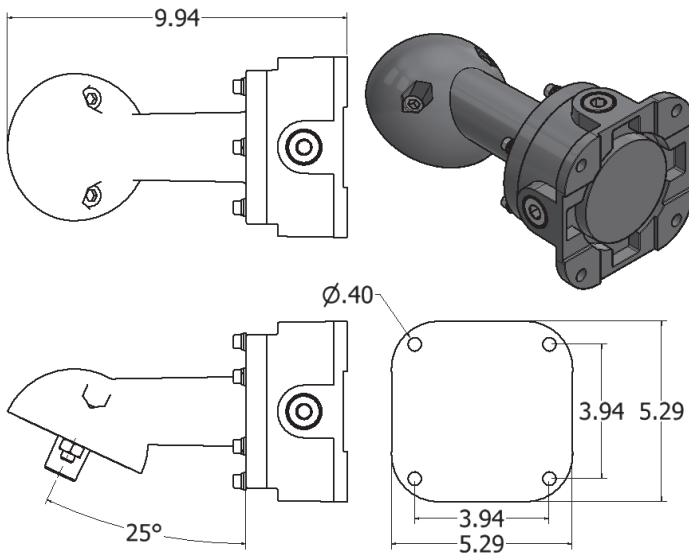
Due to continuing efforts to improve our products, North Star Lighting reserves the right to make changes to this product at any time without prior notice.

EX H Series

J-Box Stanchion Mounting 90 Degrees (JS90)



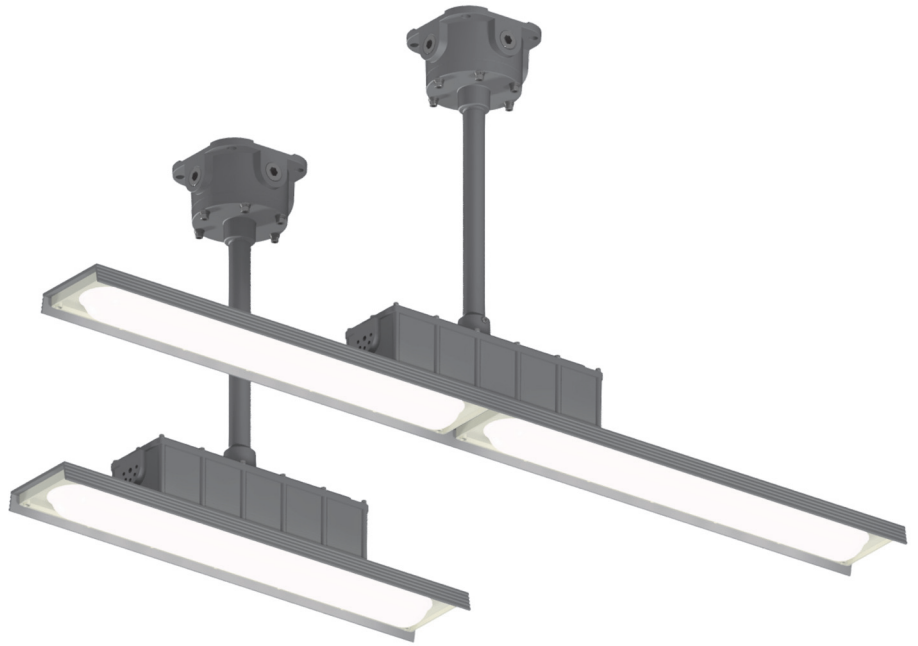
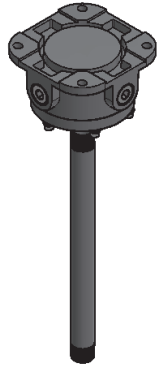
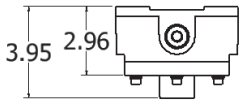
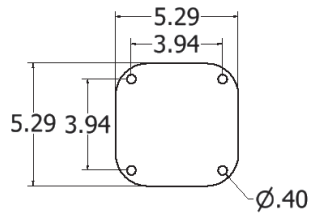
J-Box Stanchion Mounting 25 Degrees (JS25)



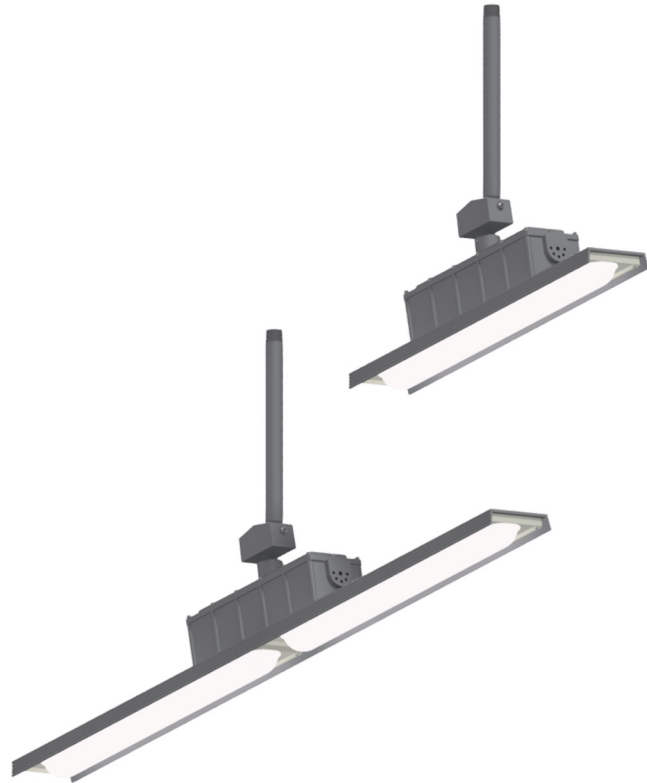
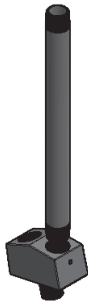
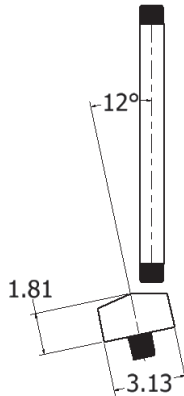
Due to continuing efforts to improve our products, North Star Lighting reserves the right to make changes to this product at any time without prior notice.

EX H Series

J-Box Pendant Mounting (JBP)



Pendant Adapter 12 Degrees (PA12)



Due to continuing efforts to improve our products, North Star Lighting reserves the right to make changes to this product at any time without prior notice.

EX H Series

Ordering Guide

- - - - - - - -

Luminaire Catalog Number			Catalog Adder				Options	
Model Number	Power Consumption (Watts)	Product Series	Dimming or Non-Dimming	LED CCT	Beam Distribution	Input Voltage	Luminaire Mounting	Accessories
EX	20W	H2	D - Dimming	3 - 3000k	120 - 120 degrees	V1- 120V - 277V	Y - Yoke	
	40W		N - Non-dimming	4 - 4000k		V2 - 200V - 480V	P - Pendant	
	40W			5 - 5000k			S90 - Stanchion 90-degree	
	60W	H4					S25 - Stanchion 25-degree	
	80W						JS90 - J-Box Stanchion 90-degree JS90 - J-Box Stanchion 25-degree JBP- J-Box Pendant Mounting PA12 - Pendant Adapter 12 degrees	

Due to continuing efforts to improve our products, North Star Lighting reserves the right to make changes to this product at any time without prior notice.

