

Product # _____ Type _____ Date _____

Project Name _____

Project Location _____ Prepared By _____

EX B Series

Construction

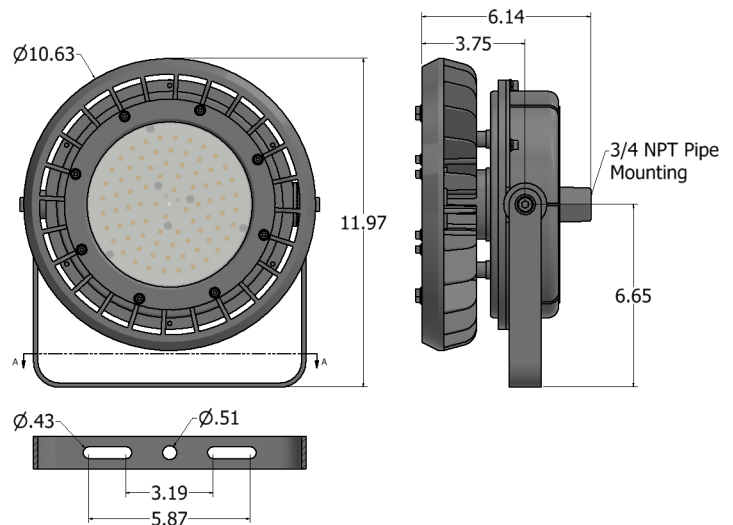
The copper free aluminum alloy body is powder coated for added durability and an attractive aesthetic appearance. Special heat dissipating design in conjunction with LED technology helps this fixture to achieve an excellent 50,000 hour rated life span with 80% lumen retention. Light weight and a low profile make this unit an attractive alternative to larger and heavier older fixtures and require less hardware to install.



Applications

This Luminaire can be utilized as a High Bay or Flood Light and can be Pole, wall or Ceiling Mounted. Recommended for Locations with high humidity, temperature and large amounts of Vapor and dust particles. Such as:

- Petroleum Production & Refining
- Petroleum loading & Transport
- Petroleum Storage & Retail
- Paint Facilities
- Pumping Stations
- Metal Smelting, Foundry and Fabrication
- Mining Operations & Service
- Ocean Platform Operational Facilities & Structure
- Aerospace clean Room and Production
- Chemical Production & Storage
- Ocean Vessel Operations
- Military Spec. Conditions
- Flour & Fine Particle Production and Storage
- Food & Distilling Production
- Electrical Power Generation & Stations



EX Type B Size Specifications

TYPE	DIAMETER (In)	Height (In)	Length (In)
B	10.63	11.97	6.14
B2	9.06	10.20	6.70
B3	14.57	16.41	7.76

Due to continuing efforts to improve our products, North Star Lighting reserves the right to make changes to this product at any time without prior notice.



835 Industrial Drive, Elmhurst, IL 60126 708.681.4330 www.nslights.com

EX B Series

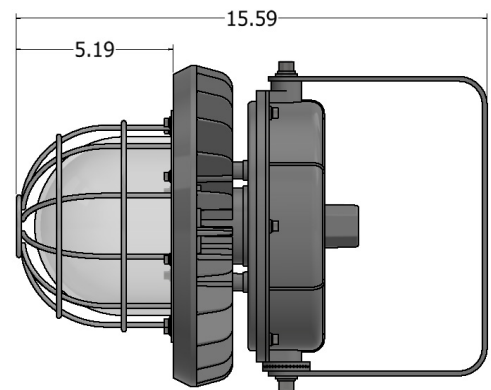
Ratings and Certifications

- UL 1598/UL 1598A/UL 844
- CSA C22.2 No. 137/No. 250.0
Class I, Division 2, Groups A, B, C, D
Class II, Division 1, Groups E, F, G
Class II, Division 2, Groups E, F, G
Class III
- Marine and Wet Locations
- NEMA 4X, IP66
- IECEX
- ATEX



Performance

- Luminaire Efficiency: 140 Lumens/Watt
- Input Voltage: 120-277/200-480 VAC
- Power Factor: >0.9
- LED CRI: >70
- LED CCT: 3000K, 4000K, 5000K
- Beam Distribution: 60°, 90°, 120°
- L70 Rating: More than 150,000 Hours
- Ambient Temp: -40° C to 50° C



Product Specifications

Model	Power (W)	Input Voltage	Lumens	Lumens/Watt	CCT	CRI	Beam Angle
B2	20	120-277/200-480	2800	140	3K/4K/5K	70	60/90/120
B2	40	120-277/200-480	5600	140	3K/4K/5K	70	60/90/120
B	60	120-277/200-480	8400	140	3K/4K/5K	70	60/90/120
B	80	120-277/200-480	11200	140	3K/4K/5K	70	60/90/120
B3	100	120-277/200-480	14000	140	3K/4K/5K	70	60/90/120
B3	120	120-277/200-480	16800	140	3K/4K/5K	70	60/90/120
B3	150	120-277/200-480	21000	140	3K/4K/5K	70	60/90/120
B3	200	120-277/200-480	28000	140	3K/4K/5K	70	60/90/120

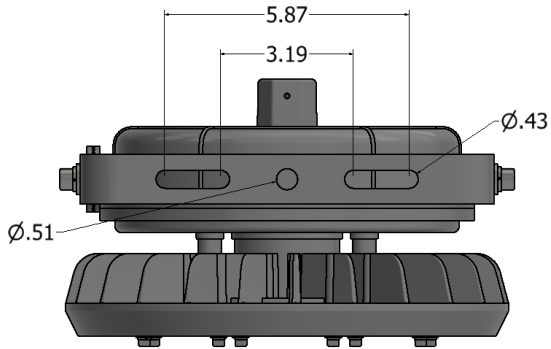
Due to continuing efforts to improve our products, North Star Lighting reserves the right to make changes to this product at any time without prior notice.



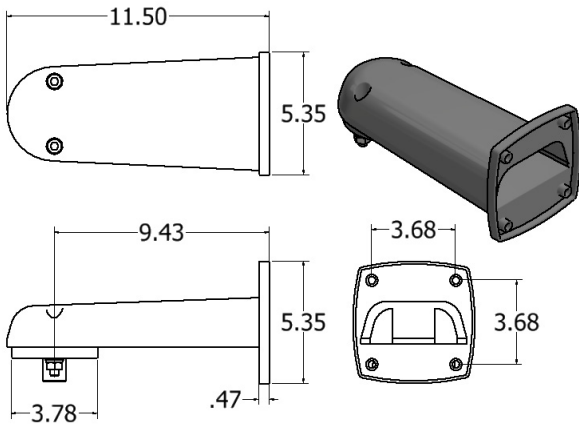
EX B Series

Mounting Options

Yoke Mounting (Y)



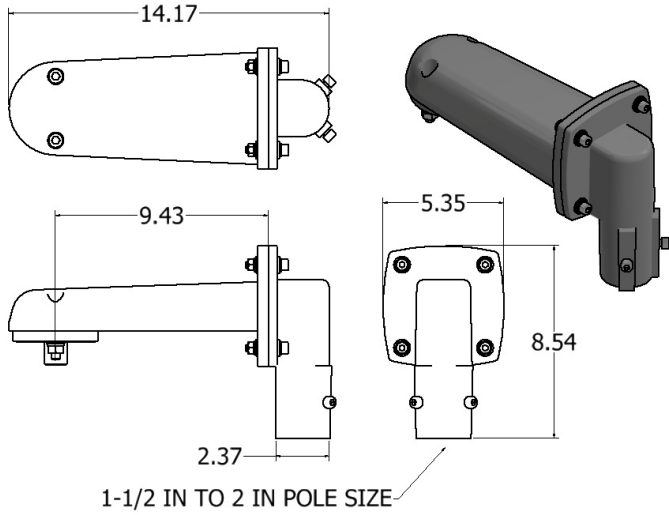
Wall Mount Bracket 90 degrees (WM90)



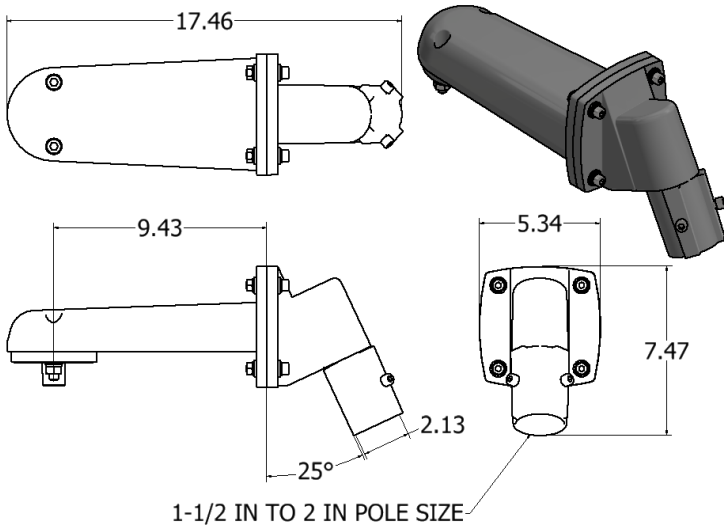
Due to continuing efforts to improve our products, North Star Lighting reserves the right to make changes to this product at any time without prior notice.

EX B Series

Pole Stanchion 90 Degrees (S90)



Pole Stanchion 25 Degrees (S25)



Due to continuing efforts to improve our products, North Star Lighting reserves the right to make changes to this product at any time without prior notice.

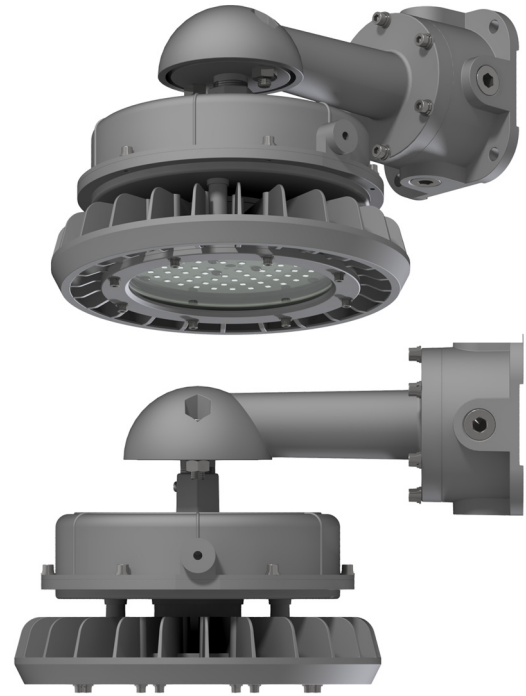
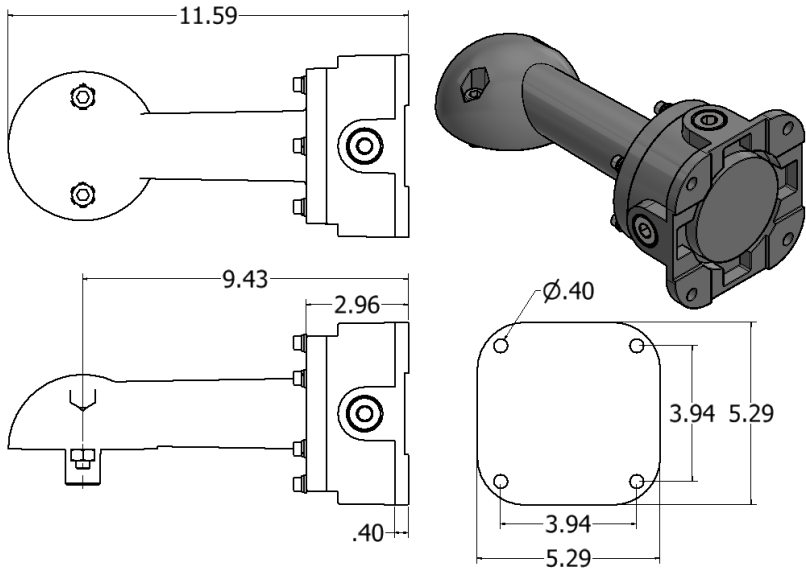


NORTH STAR
LIGHTING

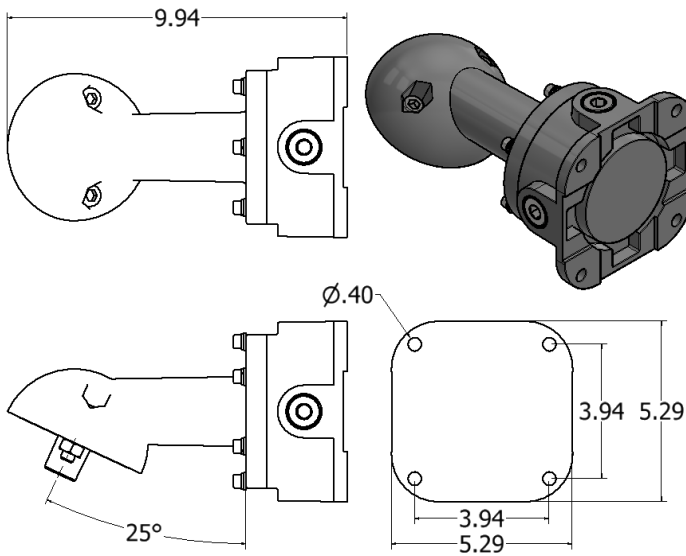
835 Industrial Drive, Elmhurst, IL 60126 708.681.4330 www.nslights.com

EX B Series

J-Box Stanchion Mounting 90 Degrees (JS90)



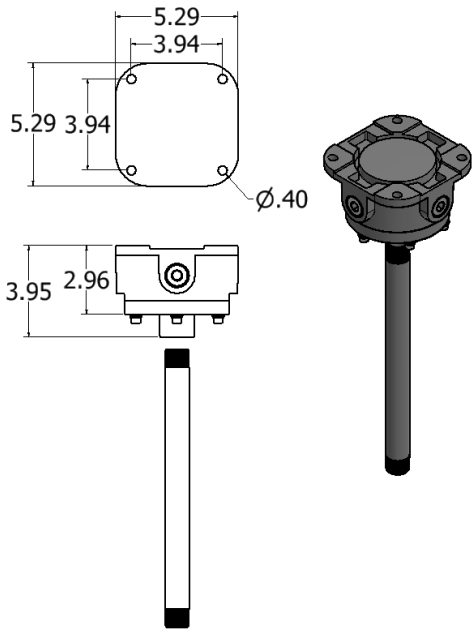
J-Box Stanchion Mounting 25 Degrees (JS25)



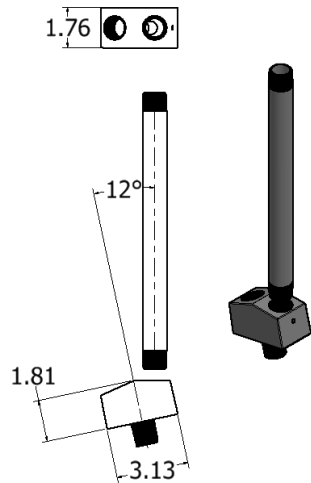
Due to continuing efforts to improve our products, North Star Lighting reserves the right to make changes to this product at any time without prior notice.

EX B Series

J-Box Pendant Mounting (JBP)



Pendant Adapter 12 Degrees (PA12)

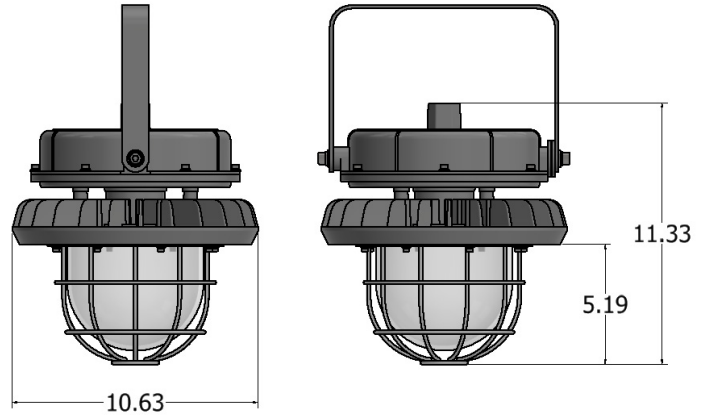


Due to continuing efforts to improve our products, North Star Lighting reserves the right to make changes to this product at any time without prior notice.

EX B Series

Accessories

Wire Guard and Glass Jar
(G)



EX Type B Glass Jar/Wire Guard Size Specifications

TYPE	DIAMETER (In)	Glass Jar Height (In)	Glass Jar and luminaire height (In)
B	10.63	5.19	11.33
B2	9.06	5.26	11.73
B3	14.57	7.54	15.30

Due to continuing efforts to improve our products, North Star Lighting reserves the right to make changes to this product at any time without prior notice.

EX B Series

Ordering Guide

- - - - - - - -

Luminaire Catalog Number			Catalog Adder				Options	
Model Number	Power Consumption (Watts)	Product Series	Dimming or Non-Dimming	LED CCT	Beam Distribution	Input Voltage	Luminaire Mounting	Accessories
EX	20W	B2	D - Dimming	3 - 3000k	60 - 60 degrees	V1 - 120V - 277V	Y - Yoke	G - Wire Guard and Glass Jar
	40W		N - Non-dimming	4 - 4000k	90 - 90 degrees	V2 - 200V - 480V	P - Pendant	
	60W	B		5 - 5000k	120 - 120 degrees		S90 - Stanchion 90-degree	
	80W		S25 - Stanchion 25-degree					
	100W		JS90 - J-Box Stanchion 90-degree					
	120W	B3					JS90 - J-Box Stanchion 25-degree	
	150W		JBP - J-Box Pendant Mounting					
	200W		PA12 - Pendant Adapter 12 degrees					

Due to continuing efforts to improve our products, North Star Lighting reserves the right to make changes to this product at any time without prior notice.

