

Product # _____ Type _____ Date _____

Project Name _____

Project Location _____ Prepared By _____

EX A Series

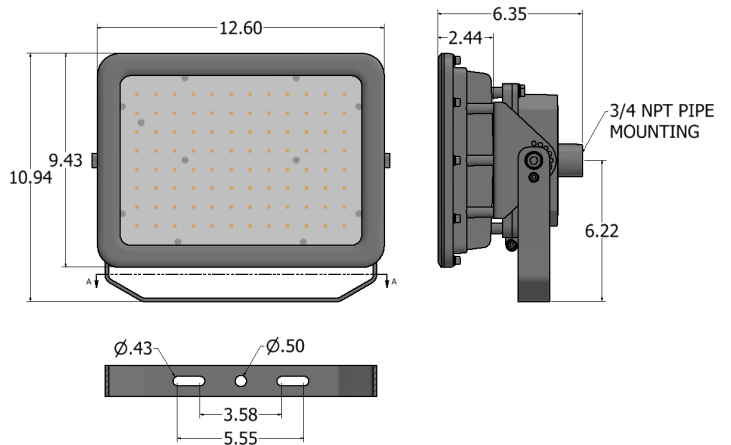
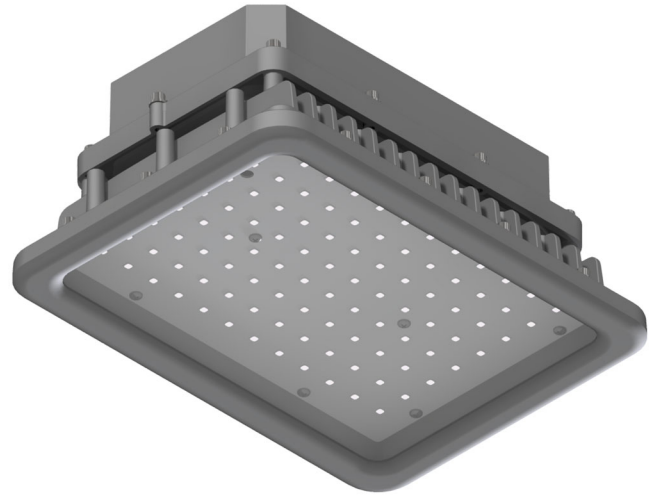
Construction

The copper free aluminum alloy body is powder coated for added durability and an attractive aesthetic appearance. Special heat dissipating design in conjunction with LED technology helps this fixture to achieve an excellent 50,000 hour rated life span with 80% lumen retention. Light weight and a low profile make this unit an attractive alternative to larger and heavier older fixtures and require less hardware to install.

Applications

This Luminaire can be utilized as a High Bay or Flood Light and can be Pole, wall or Ceiling Mounted. Recommended for Locations with high humidity, temperature and large amounts of Vapor and dust particles. Such as:

- Petroleum Production & Refining
- Petroleum loading & Transport
- Petroleum Storage & Retail
- Paint Facilities
- Pumping Stations
- Metal Smelting, Foundry and Fabrication
- Mining Operations & Service
- Ocean Platform Operational Facilities & Structure
- Aerospace clean Room and Production
- Chemical Production & Storage
- Ocean Vessel Operations
- Military Spec. Conditions
- Flour & Fine Particle Production and Storage
- Food & Distilling Production
- Electrical Power Generation & Stations



EX Type A Size Specifications

TYPE	Height (In)	Width (In)	Depth (In)
A	9.43	12.60	6.35
A2	6.30	9.84	6.54
A3	9.05	15.00	7.41
A4	11.81	16.65	8.27

Due to continuing efforts to improve our products, North Star Lighting reserves the right to make changes to this product at any time without prior notice.



EX A Series

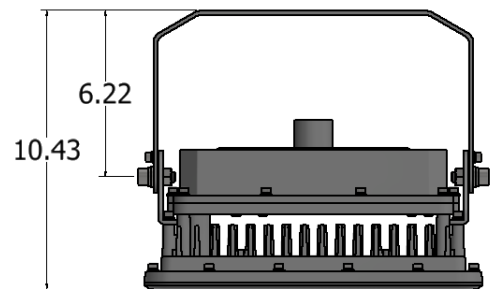
Ratings and Certifications

- UL 1598/UL 1598A/UL 844
- CSA C22.2 No. 137/No. 250.0
Class I, Division 2, Groups A, B, C, D
Class II, Division 1, Groups E, F, G
Class II, Division 2, Groups E, F, G
Class III
- Marine and Wet Locations
- NEMA 4X, IP66
- IECEX
- ATEX



Performance

- Luminaire Efficiency: 140 Lumens/Watt
- Input Voltage: 120-277/200-480 VAC
50/60 Hz
- Power Factor: >0.9
- LED CRI: >80
- LED CCT: 3000K, 4000K, 5000K
- Beam Distribution: 40°, 60°, 90°, 120°
- L70 Rating: More than 150,000 Hours
- Ambient Temp: -40° C to 50° C



Due to continuing efforts to improve our products, North Star Lighting reserves the right to make changes to this product at any time without prior notice.



EX A Series

Product Specifications

Model	Power (W)	Input Voltage	Lumens	Lumens/Watt	CCT	CRI	Beam Angle
A2	20	120-277	2800	140	3K/4K/5K	80	40/60/90/120
A2	40	120-277	5600	140	3K/4K/5K	80	40/60/90/120
A2	60	120-277	8400	140	3K/4K/5K	80	40/60/90/120
A	80	120-277/200-480	11200	140	3K/4K/5K	80	40/60/90/120
A	100	120-277/200-480	14000	140	3K/4K/5K	80	40/60/90/120
A3	150	120-277/200-480	21000	140	3K/4K/5K	80	40/60/90/120
A3	200	120-277/200-480	28000	140	3K/4K/5K	80	40/60/90/120
A4	150	120-277/200-480	21000	140	3K/4K/5K	80	40/60/90/120
A4	200	120-277/200-480	28000	140	3K/4K/5K	80	40/60/90/120
A4	250	120-277/200-480	35000	140	3K/4K/5K	80	40/60/90/120
A4	300	120-277/200-480	42000	140	3K/4K/5K	80	40/60/90/120
A4	400	120-277/200-480	56000	140	3K/4K/5K	80	40/60/90/120

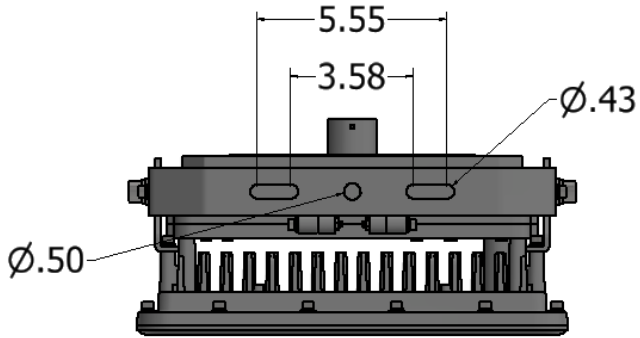
Due to continuing efforts to improve our products, North Star Lighting reserves the right to make changes to this product at any time without prior notice.



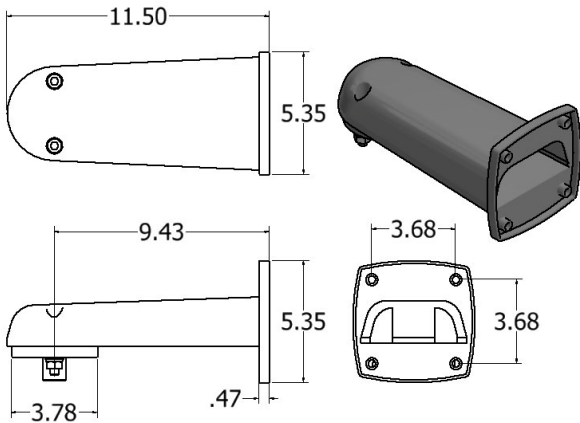
EX A Series

Mounting Options

Yoke Mounting (Y)



Wall Mount Bracket 90 degrees (WM90)

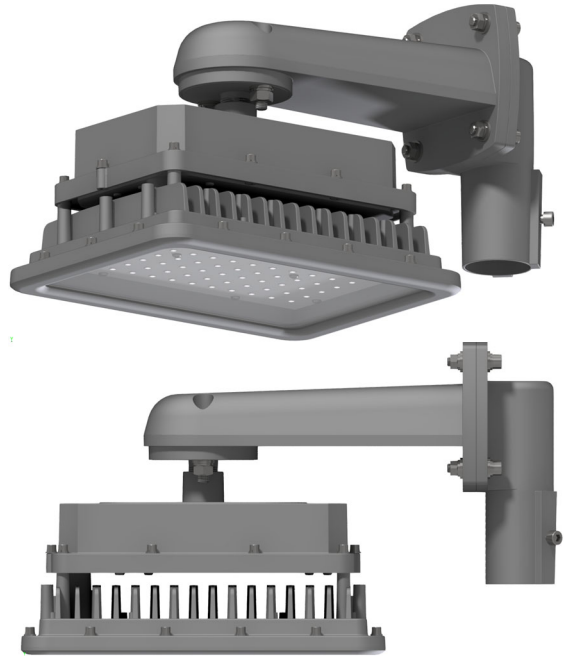
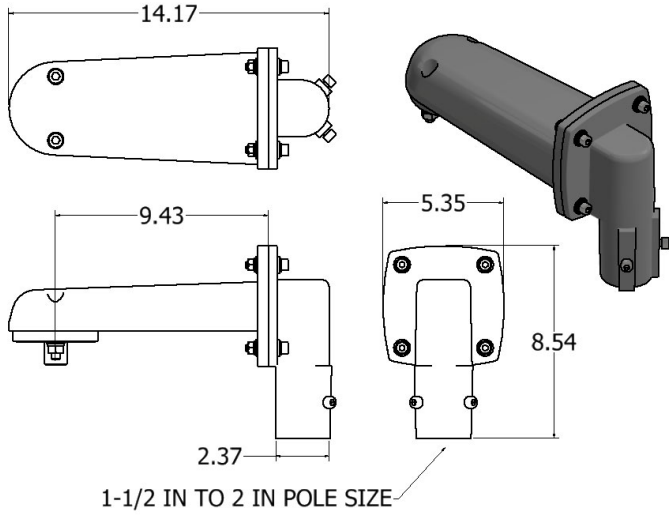


Due to continuing efforts to improve our products, North Star Lighting reserves the right to make changes to this product at any time without prior notice.

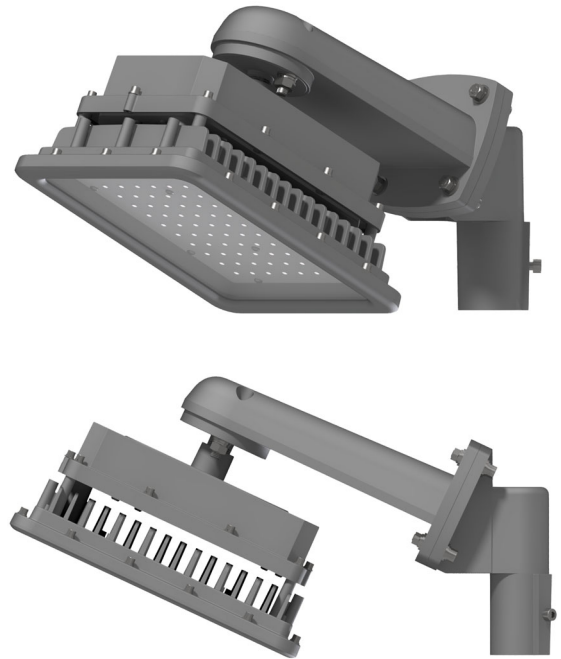
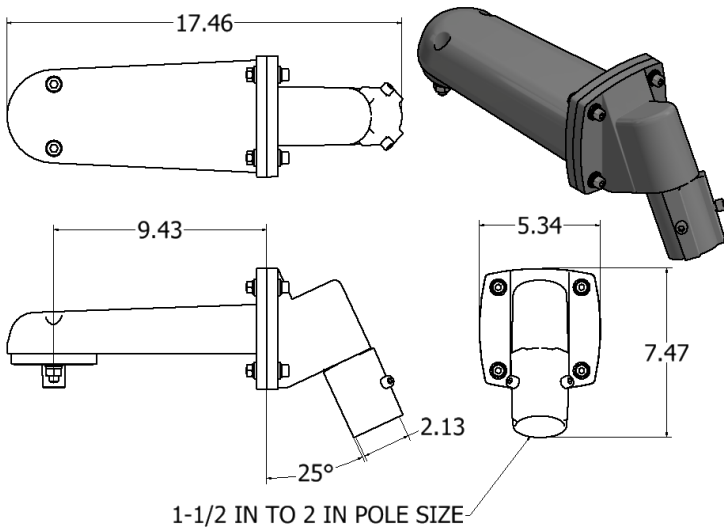


EX A Series

Pole Stanchion 90
Degrees (S90)



Pole Stanchion 25
Degrees (S25)

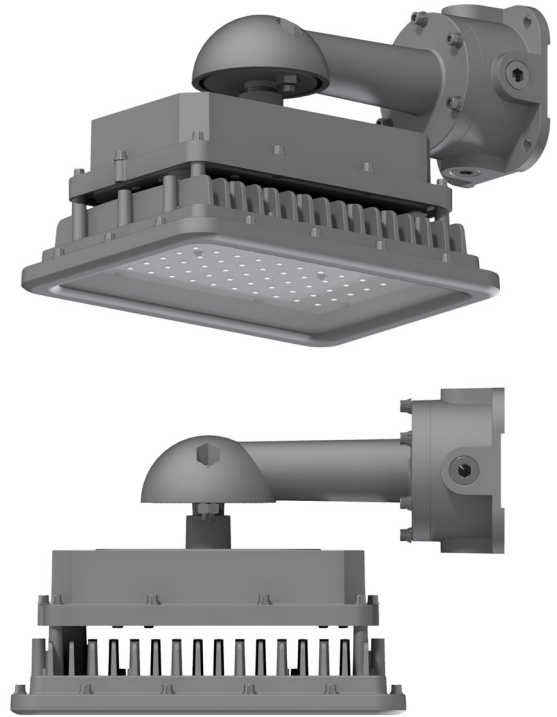
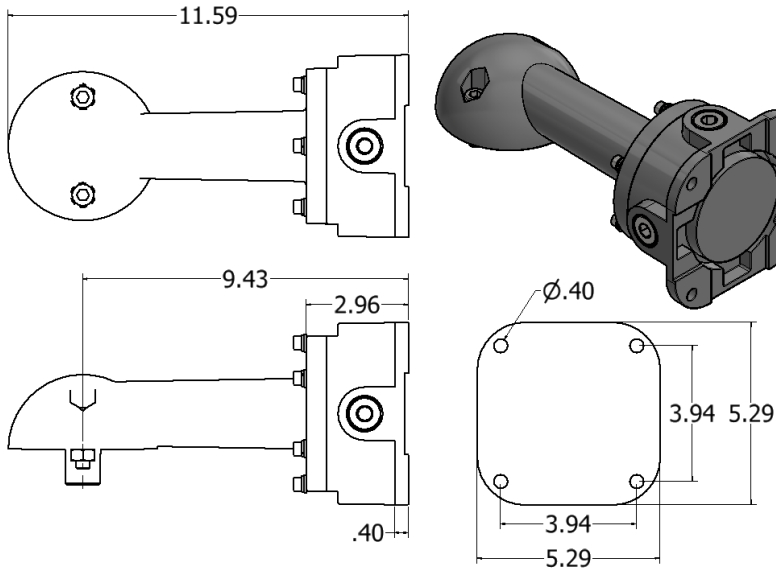


Due to continuing efforts to improve our products, North Star Lighting reserves the right to make changes to this product at any time without prior notice.

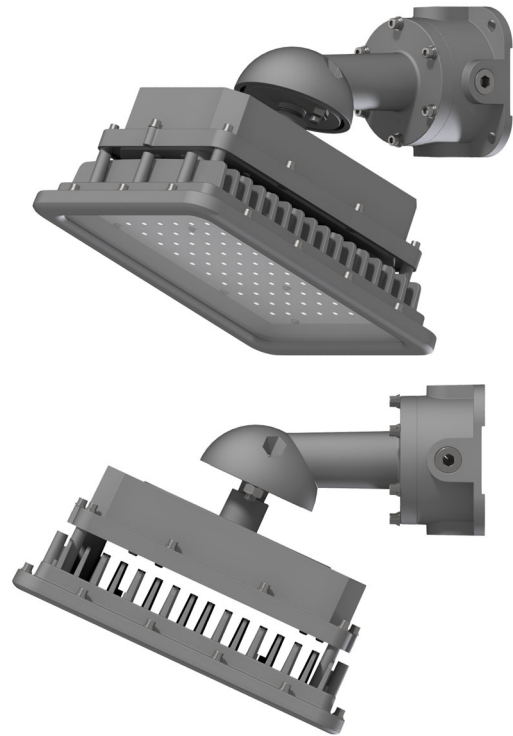
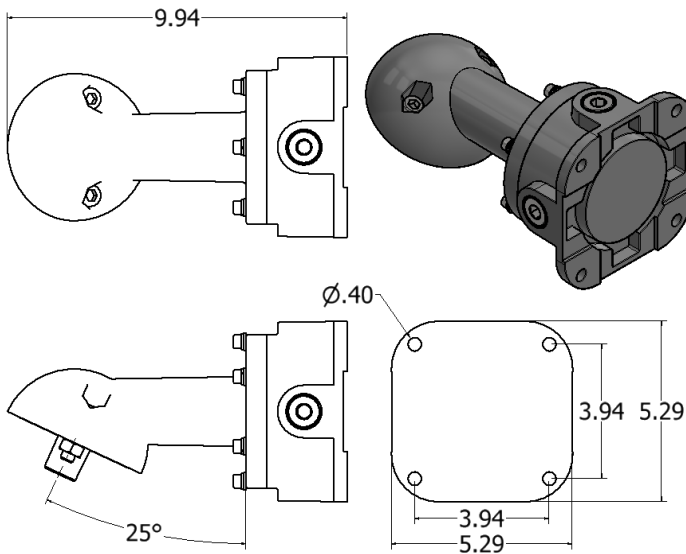


EX A Series

J-Box Stanchion Mounting 90 Degrees (JS90)



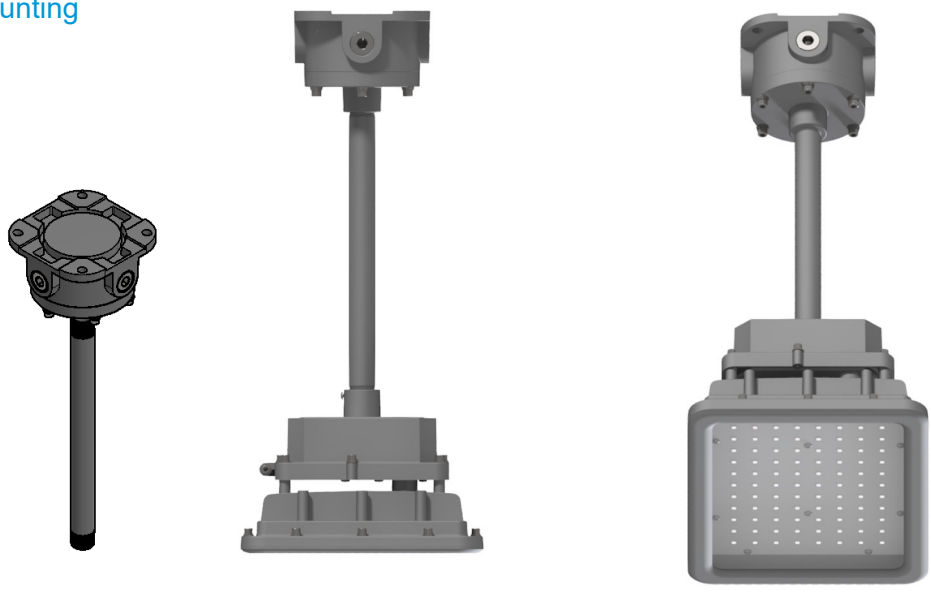
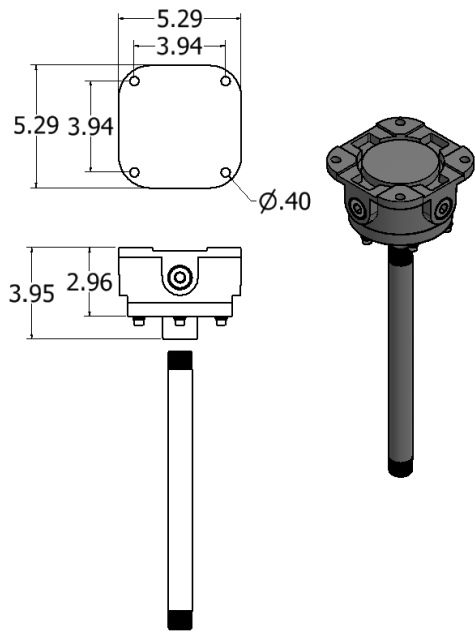
J-Box Stanchion Mounting 25 Degrees (JS25)



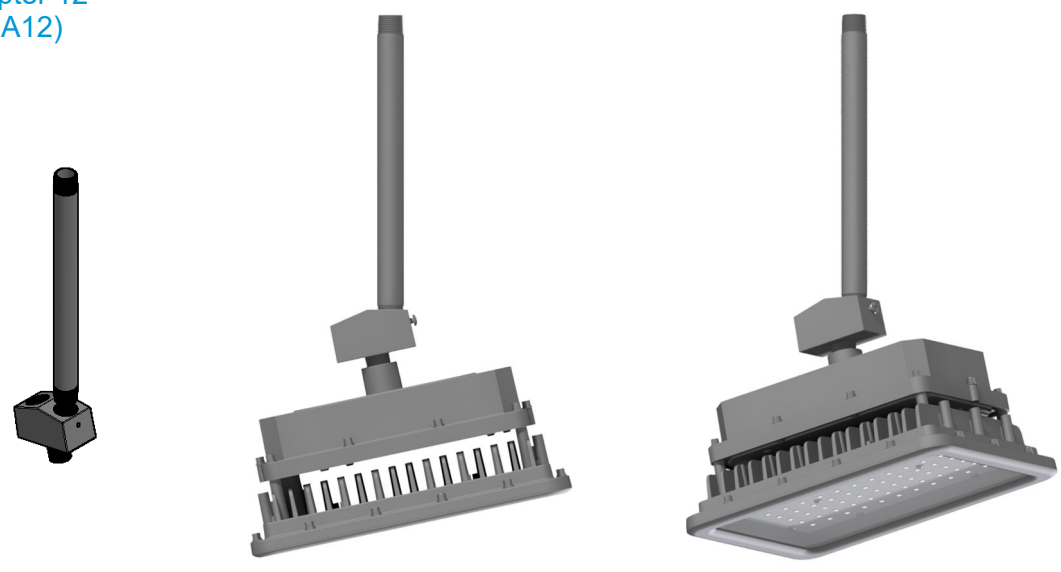
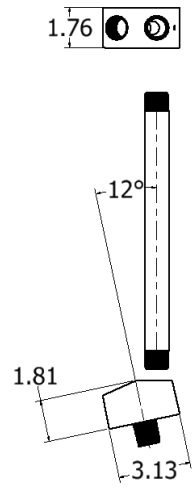
Due to continuing efforts to improve our products, North Star Lighting reserves the right to make changes to this product at any time without prior notice.

EX A Series

J-Box Pendant Mounting (JBP)



Pendant Adapter 12 Degrees (PA12)

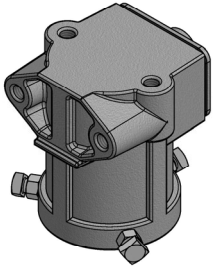


Due to continuing efforts to improve our products, North Star Lighting reserves the right to make changes to this product at any time without prior notice.

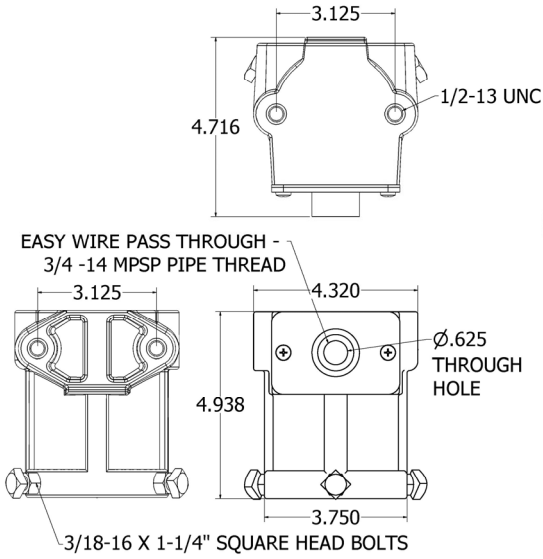


EX A Series

2 Inch Pipe Tenon Slip-fitter (SB-5)



FITS 2" TO 2-1/2" PIPE (2 3/8" TO 2 7/8" OD)



Due to continuing efforts to improve our products, North Star Lighting reserves the right to make changes to this product at any time without prior notice.



EX A Series

Ordering Guide

- - - - - - - -

Luminaire Catalog Number			Catalog Adder				Options	
Model Number	Power Consumption (Watts)	Product Series	Dimming or Non-Dimming	LED CCT	Beam Distribution	Input Voltage	Luminaire Mounting	Accessories
EX	20W	A2	D - Dimming	3 - 3000k	40 - 40 degrees	V1 - 120V - 277V	Y - Yoke	
	40W		N - Non-dimming	4 - 4000k	60 - 60 degrees	V2 - 200V - 480V	P - Pendant	
	60W		5 - 5000k	90 - 90 degrees	S90 - Stanchion 90-degree			
	80W	A			120 - 120 degrees	S25 - Stanchion 25-degree		
	100W				JS90 - J-Box Stanchion 90-degree			
	150W	A3				JS25 - J-Box Stanchion 25-degree		
	200W				JBP - J-Box Pendant Mounting			
	150W				PA12 - Pendant Adapter 12 degrees			
	200W				SB-5 - 2" Tenon Slipfitter			
	250W	A4						
300W								
400W								

Note: Size A2 is **not** available in V2 Voltage

Due to continuing efforts to improve our products, North Star Lighting reserves the right to make changes to this product at any time without prior notice.

