

Product # _____ Type _____ Date _____

Project Name _____

Project Location _____ Prepared By _____

Capella™ 5 RGBW

Construction

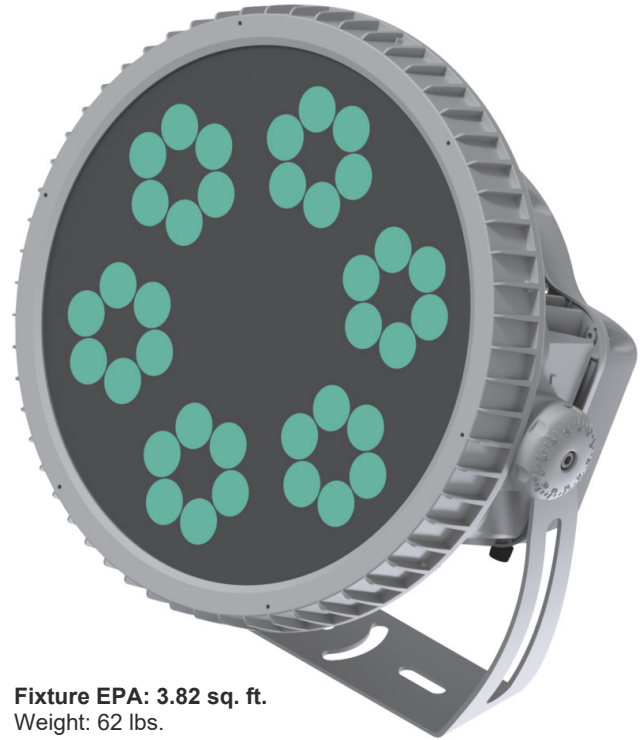
- Housing and lens frame are constructed from heavy-duty low copper die-cast aluminum. Material is structurally rigid and uniformly dissipates heat for longer lumen maintenance life-hours. Standard finish is a mini texture charcoal gray using polyester powder coat paint. Other finishes are available upon request.
- Glass Lens is Minimum 1/8" thick thermal and impact resistant clear tempered glass. Lens frame and housing are sealed using an extruded, memory retentive gasket. All external hardware is stainless steel.
- Mounting Yoke is made from Stainless steel and finished with polyester powder coat to match luminaire.

Optical System

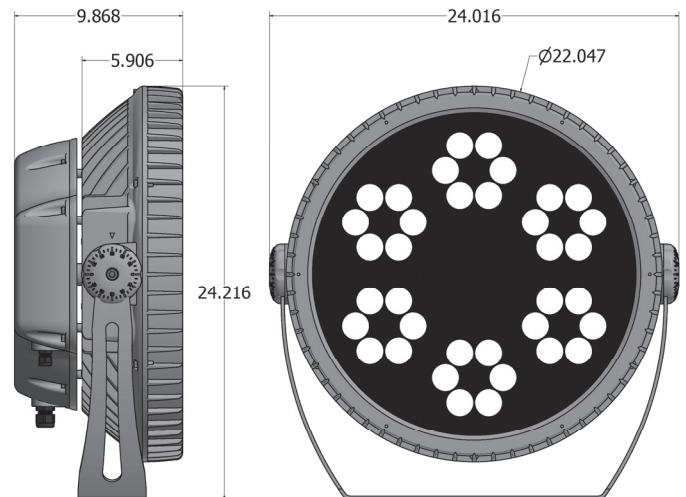
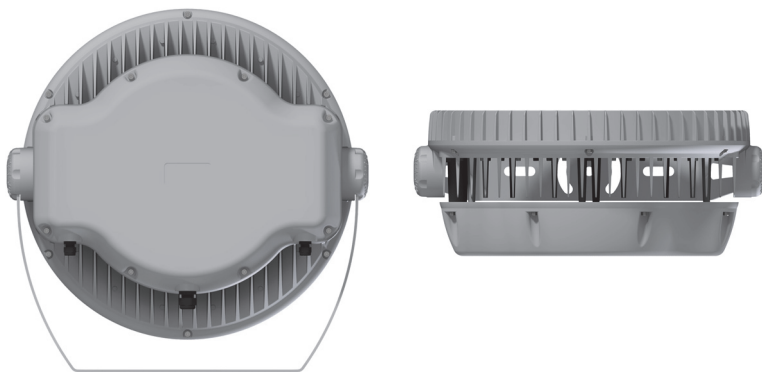
- Largest selection of optical choices shall be available to fit your applications. Please specify your selection from the ordering guide. Photometric Application Data table is provided as an additional tool for selecting an appropriate optic system suitable to the application.
- Glare Control: Choice of external glare control accessories are available. Please select them from the catalog ordering guide.

Product Applications

- High Power Flood Lighting
- Very Narrow Flood Lighting
- Stay Cable Bridge Lighting
- Building Wall Washer
- Cold Environment Flood Lighting
- Vibration Resistant Flood Lighting



Fixture EPA: 3.82 sq. ft.
Weight: 62 lbs.



LED configuration shown for illustration purposes only.
Actual LED configuration may be different.

Due to continuing efforts to improve our products, North Star Lighting reserves the right to make changes to this product at any time without prior notice.



835 Industrial Drive, Elmhurst, IL 60126 708.681.4330 www.nslights.com

Capella™ 5 RGBW

Electrical Components

- **North Star AlphaLED™ Engine:** Designed and configured with Luminus SBM-40-RGBW 4 in 1 chip offering high power and high lumen LEDs. AlphaLED™ modules enable North Star to deliver high quality standards and ensure warranty replacement. LED modules mounted directly on the highly conductive aluminum die-cast housing. These LEDs are operating below 85°C case temperature and deliver superior maintained illumination per LM80 L80 standards.
- **LED Drivers:** UL/CSA recognized component to meet UL8750 & EN61347 (USR/CNR -E328335). Suitable for input power at 120-277VAC 50/60Hz. See Rated input power table for input voltage and current ratings.
- **Power connection:** A 6-foot long outdoor rated water and oil resistant cable shall be provided for electrical power and two 6-foot lead-outs for DMX input and DMX output. Wiring is to be connected to the nearest outdoor rated IP66 junction box (By Others).

Mounting

- Adjustable aim and lock type yoke is provided with a 0.563 diameter center hole, two 60-degree slots, and two horizontal slots to mount on horizontal or vertical surface depending on application. The yoke is made of Stainless steel and finished powder coat to match luminaire finish.

Dimming Controls

- Standard: Interface for DMX Color Mixing

Safety Compliance

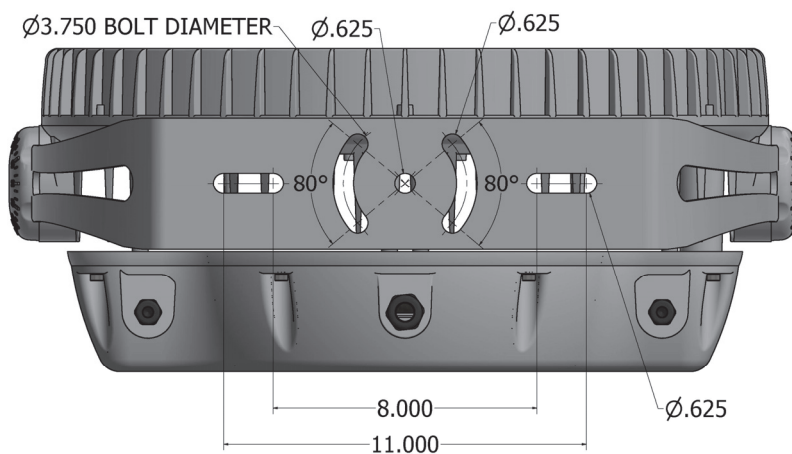
- UL 1598 and CSA C22.2 NO. 250.0 standards.
- Suitable for indoor/outdoor wet (IP66) or damp location use.
- Suitable for 3G ANSI C136.31 Bridge and Tunnel applications.
- IK07 impact resistant
- Operating Temperature Range: -40 C° to 40 C°

Warranty

- Limited 5 years
- LED: L80 60,500 hours at 40 C° ambient
- LED Driver: limited 5 years

Mounting Options

Yoke Mounting Dimensions



Due to continuing efforts to improve our products, North Star Lighting reserves the right to make changes to this product at any time without prior notice.

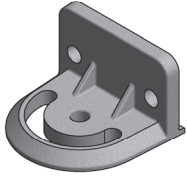


835 Industrial Drive, Elmhurst, IL 60126 708.681.4330 www.nslights.com

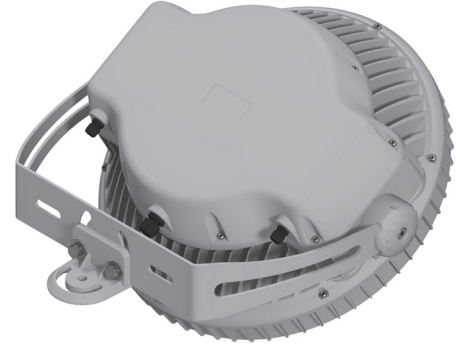
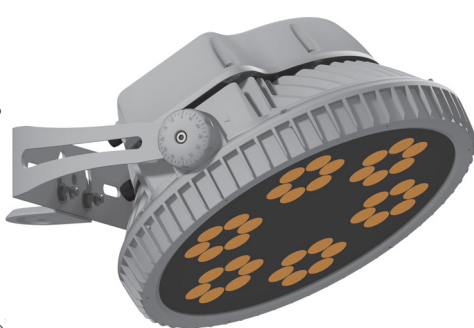
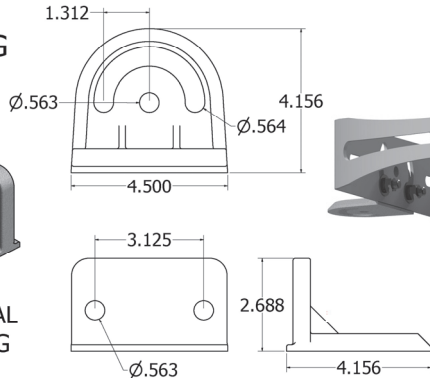
Capella™ 5 RGBW

Mounting Accessories

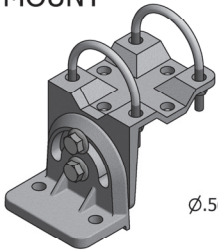
SB-2 MOUNTING BRACKET



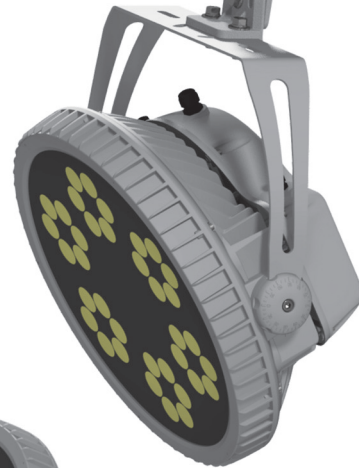
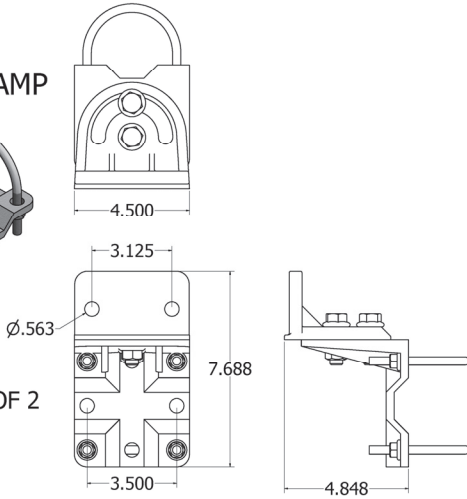
FOR HORIZONTAL YOKE MOUNTING



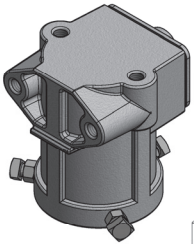
SB-3 PIPE CLAMP MOUNT



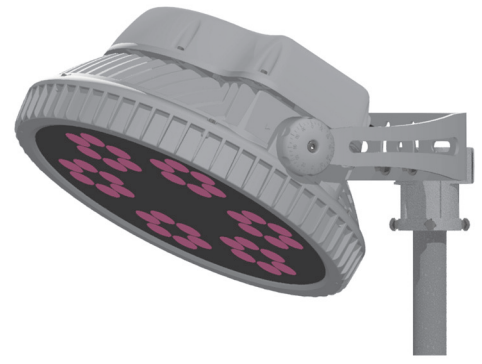
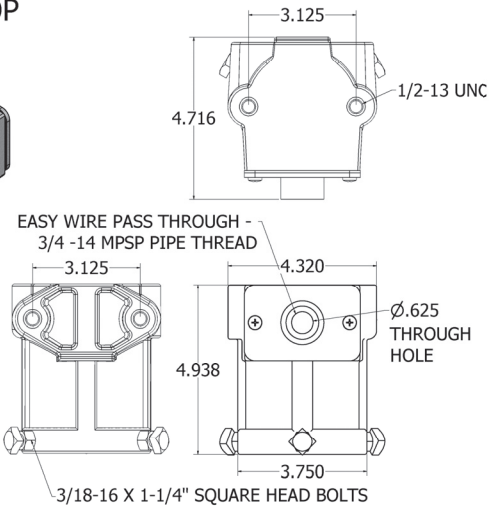
FOR PIPE SIZES OF 2 TO 3 INCHES



SB-5 POLE TOP SLIP-FITTER



FITS 2" TO 2-1/2" PIPE (2 3/8" TO 2 7/8" OD)



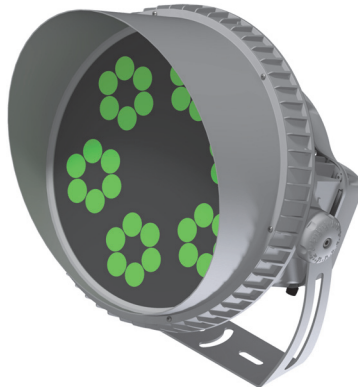
Due to continuing efforts to improve our products, North Star Lighting reserves the right to make changes to this product at any time without prior notice.

Capella™ 5 RGBW

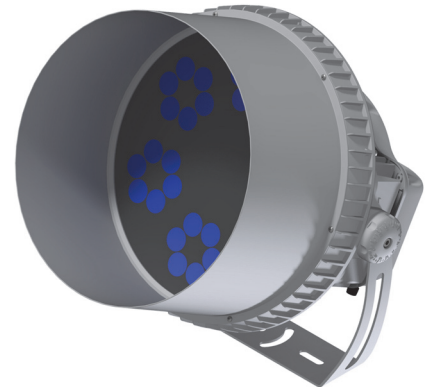
Glare Control Accessories



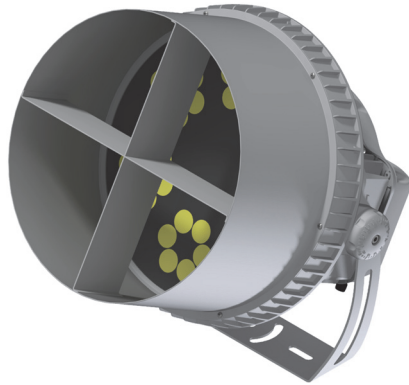
SV – Standard Visor



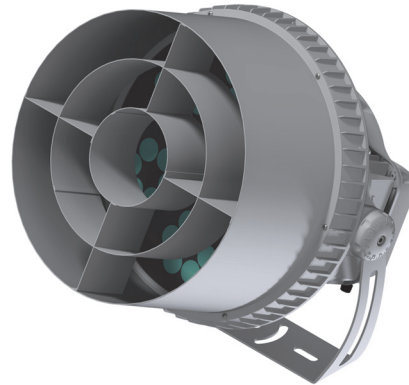
V – Visor



H – Hood

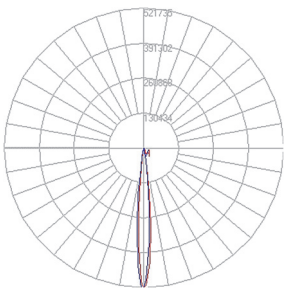


CL – Cross Louver Hood

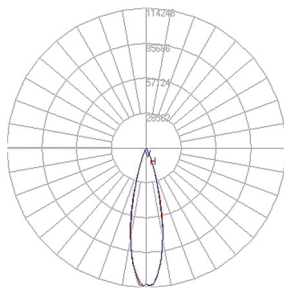


CR – Concentric Ring Louver Hood

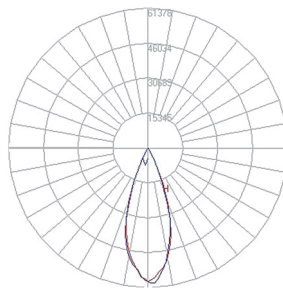
Beam Distribution



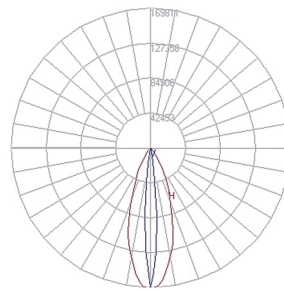
Narrow 10° – D10



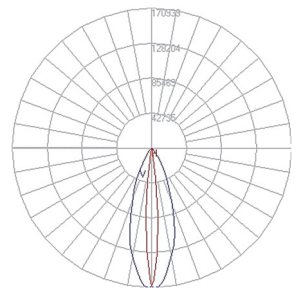
Medium 23° – D23



Wide 45° – D45



Elliptical Horizontal
35° x 10° – ELH



Elliptical vertical
10° x 35° – ELV

Due to continuing efforts to improve our products, North Star Lighting reserves the right to make changes to this product at any time without prior notice.

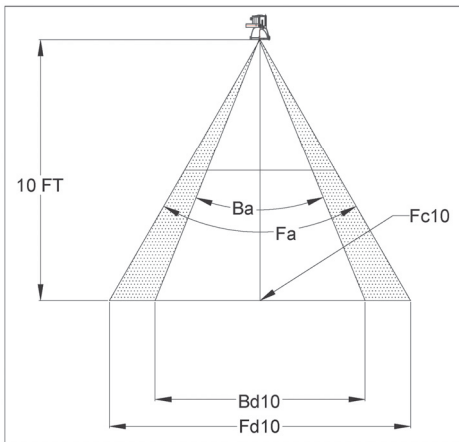


835 Industrial Drive, Elmhurst, IL 60126 708.681.4330 www.nslights.com

Capella™ 5 RGBW

Photometric Application Data

Performance Values	Optic D10	Optic D25	Optic D35	Optic ELH	Optic ELV
NEMA Classification	2HX2V	3HX3V	4HX4V	4HX2V	2HX4V
Maximum Center Candela Cd-max	424,894	93,042	49,986	138,292	139,210
Maximum Center Fc @10 ft - Fc10	4249	930	500	1383	1392
Beam Angle @ 50% of Max. Fc - Ba degrees	10	25.4	35.4	35.5 x 9.9	9.8 x 35.2
Field Angle @ 10% of Max Fc - Fa degrees	18.8	42.1	56	64.9 x 17.6	17.6 x 64.9
Beam Diameter in feet @10 ft - Bd10	1.75	4.51	6.38	6.40 x 1.73	1.71 x 6.34
Field Diameter in feet @10 ft - Fd10	3.31	7.70	10.63	12.72 x 3.10	3.10 x 12.72



Rated Input Power Table

CAP5C LED Power	Luminaire Rated input Power (AC 50/60 Hz)	Input Current at rated voltage			
Watts	Watts	120	208	240	277
300	360	3.0	1.7	1.5	1.3
136	164	1.4	0.8	0.7	0.6

RGBW Output Lumens Table

Catalog No	Nominal LED Power (W)	Output Lumens Values					
		RGBW	RGB	Red	Green	Blue	White
CAP5C-300	300	18030	10233	2469	6595	1170	7797
CAP5C-136	136	10006	5679	1370	3660	649	4327

NOTE: SEE PHOTOMETRIC APPLICATION DATA FOR SPECIFIC BEAM INFORMATION

Due to continuing efforts to improve our products, North Star Lighting reserves the right to make changes to this product at any time without prior notice.



Capella™ 5 RGBW

Glass Lens Selection Guide

Primary Optic	Standard Clear Glass		Linear Spread Lens (LSL) - For Horizontal/Vertical Spread		Softening Diffuse Lens (SDL)	
	Beam Angle (°)	Field Angle (°)	Beam Angle (°)	Field Angle (°)	Beam Angle (°)	Field Angle (°)
D10 - 10° Narrow Beam	10	19	46 X 10 10 X 46	90 X 20 20 X 90	15	30
D25 - 25° Medium Beam	25	42	52 X 26 26 X 52	86 X 43 43 X 86	28	45
D35 - 35° Wide Beam	35	56	72 X 36 36 X 72	120 X 58 58 X 120	36	60
ELH - 35° x 10° Elliptical Horizontal Beam	35 X 10	65 X 18	60 X 12	86 X 43	40 X 12	68 X 20
ELV - 10° x 35° Elliptical Vertical Beam	10 X 35	18 X 65	12 X 60	43 X 86	12 X 40	20 X 68

Due to continuing efforts to improve our products, North Star Lighting reserves the right to make changes to this product at any time without prior notice.



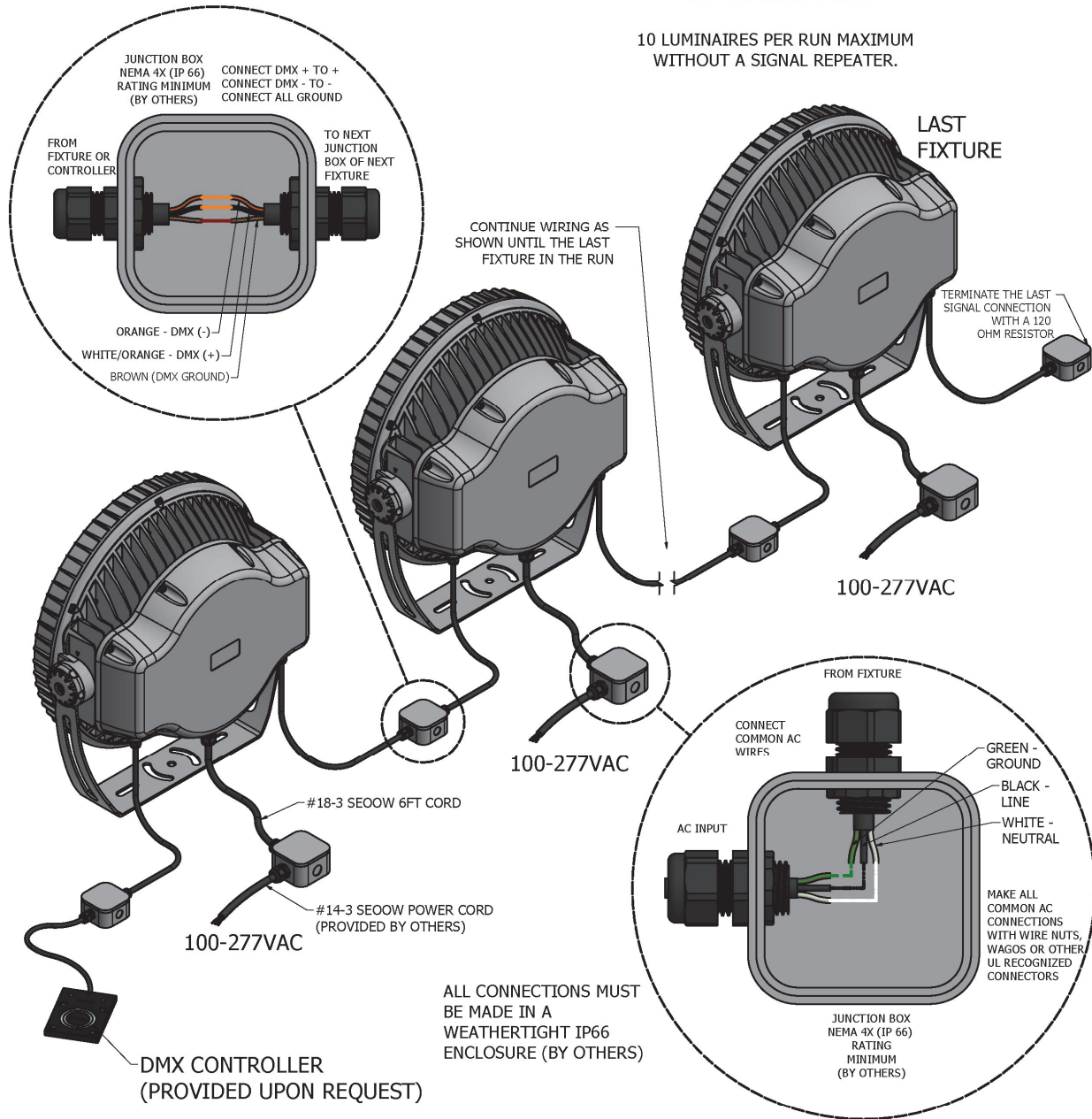
835 Industrial Drive, Elmhurst, IL 60126 708.681.4330 www.nslights.com

Capella™ 5 RGBW

WIRING DIAGRAM - COLOR MIXING (DMX)

MAXIMUM RUN LENGTH
FOR 15 A CIRCUIT AT 120VAC
USE #14 - 3 POWER CABLES
JUNCTION BOXES INSTALLED (BY OTHERS)
WITHIN 6 FEET OF EACH FIXTURE
200' MAX CABLE LENGTH

10 LUMINAIRES PER RUN MAXIMUM
WITHOUT A SIGNAL REPEATER.



RECOMMENDED DMX CABLE - BELDEN 7919A
OUTDOOR RATED 24AWG BARE COPPER - 4
TWISTED PAIRS, OVERALL FOIL SHIELDED

NOTE: MAXIMUM TOTAL SIGNAL WIRE MUST NOT BE
GREATER THAN 1000 FEET WITHOUT A SIGNAL
REPEATER

NOTE: DMX WIRING MUST BE DONE IN SERIES
AS SHOWN. USING A Y-SPLIT CONNECTION IS
NOT RECOMMENDED. Y-SPLIT WIRING FOR DMX
IS NOT RELIABLE. IF A Y-SPLIT MUST BE MADE, A
SIGNAL REPEATER MUST USED TO SPLIT THE
SIGNAL.

Due to continuing efforts to improve our products, North Star
Lighting reserves the right to make changes to this product at any
time without prior notice.



835 Industrial Drive, Elmhurst, IL 60126 708.681.4330 www.nslights.com

Capella™ 5 RGBW

Ordering Guide

- - - - -

Model Number	LED Power (Watts)	Light Beam Distribution (FWHM)	Input voltage (VAC)	Lighting Controls	Accessories
CAP5C	300 - 300W	D10 - 10° Narrow Beam	U - 120V-277V	DMX - DMX Dimming Interface Only	SV - Standard Visor
	136 - 136W	D25 - 25° Medium Beam			V - Visor
		D35 - 35° Wide Beam			H - Hood
		ELH - 35° x 10° Elliptical Horizontal Beam			CL - Cross Louver
		ELV - 10° x 35° Elliptical Vertical Beam			CR - Concentric Ring Louver
		LSL - Linear Spread Lens			
			SDL - Softening Diffuse Lens		

Due to continuing efforts to improve our products, North Star Lighting reserves the right to make changes to this product at any time without prior notice.



835 Industrial Drive, Elmhurst, IL 60126 708.681.4330 www.nslights.com