

Product # \_\_\_\_\_ Type \_\_\_\_\_ Date \_\_\_\_\_

Project Name \_\_\_\_\_

Project Location \_\_\_\_\_ Prepared By \_\_\_\_\_

## Capella™ 2 RGBW

### Construction

- Housing and lens frame are constructed from heavy-duty low copper die-cast aluminum. Material is structurally rigid and uniformly dissipates heat for longer lumen maintenance life-hours. Standard finish is a mini texture charcoal gray using polyester powder coat paint. Other finishes are available upon request.
- Glass Lens is Minimum 1/8" thick thermal and impact resistant clear tempered glass. Lens frame and housing are sealed using an extruded, memory retentive gasket. All external hardware is stainless steel.
- Mounting Yoke is made from Stainless steel and finished with polyester powder coat to match luminaire

### Optical System

- Largest selection of optical choices shall be available to fit your applications. Please specify your selection from the ordering guide. Photometric Application Data table is provided as an additional tool for selecting an appropriate optic system suitable to the application.
- Glare Control: Choice of external glare control accessories are available. Please select them from the catalog ordering guide.

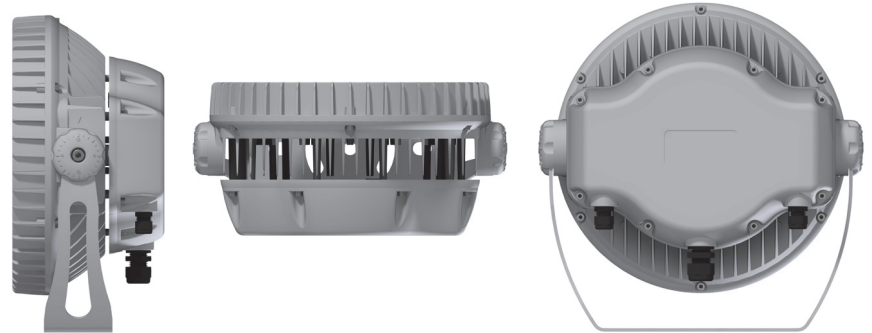
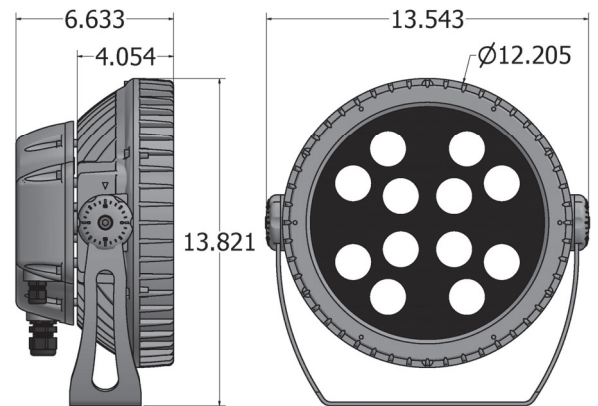
### Product Applications

- Flood Lighting
- Very Narrow Flood Lighting
- Stay Cable Bridge Lighting
- Building Wall Washer
- Landscape Lighting
- Sign Lighting
- Art Display Spot Lighting
- Flag Spot Lighting

**Fixture EPA: 1.19 sq. ft.**

Weight: 15 lbs.

LED configuration shown for illustration purposes only.  
Actual LED configuration may be different.



Due to continuing efforts to improve our products, North Star Lighting reserves the right to make changes to this product at any time without prior notice.



835 Industrial Drive, Elmhurst, IL 60126 708.681.4330 www.nslights.com

# Capella™ 2

## Electrical Components

- **North Star AlphaLED™ Engine:** Designed and configured with Luminus SBM-40-RGBW 4 in 1 chips offering high power and high lumen LEDs. AlphaLED™ modules enable North Star to deliver high quality standards and ensure warranty replacement. LED modules mounted directly on the highly conductive aluminum die-cast housing. These LEDs are operating below 85°C case temperature and deliver superior maintained illumination per LM80 L80 standards.
- **LED Drivers:** UL/CSA recognized component to meet UL8750 & EN61347 (USR/CNR -E328335). Suitable for input power at 120-277VAC 50/60Hz. See Rated input power table for input voltage and current ratings.
- **Power connection:** A 6-foot long outdoor rated water and oil resistant cable shall be provided for electrical power and two 6-foot lead-outs for DMX input and DMX output. Wiring is to be connected to the nearest outdoor rated IP66 junction box (By Others).

## Mounting

- Adjustable aim and lock type yoke is provided with a 0.563 diameter center hole, two 60-degree slots, and two horizontal slots to mount on horizontal or vertical surface depending on application. The yoke is made of Stainless steel and finished powder coat to match luminaire finish.

## Dimming Controls

- Standard: Interface for DMX Color Mixing

## Safety Compliance

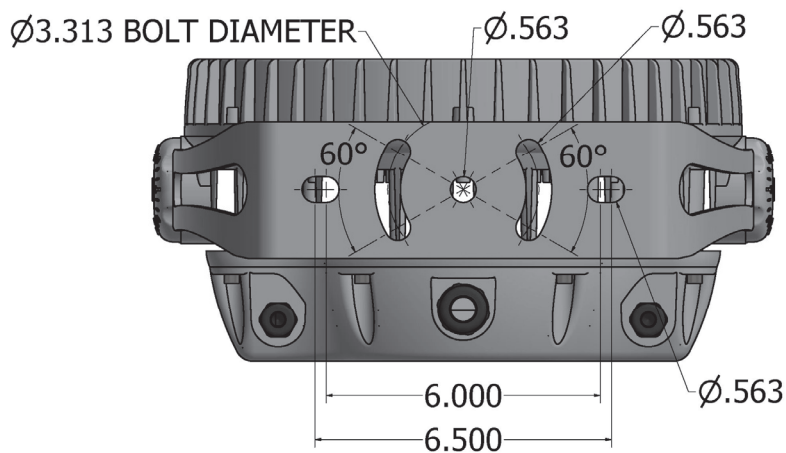
- UL 1598 and CSA C22.2 NO. 250.0 standards.
- Suitable for indoor/outdoor wet (IP66) or damp location use.
- Suitable for 3G ANSI C136.31 Bridge and Tunnel applications.
- IK07 impact resistant
- Operating Temperature Range: -40 C° to 40 C°

## Warranty

- Limited 5 years
- LED: L80 60,500 hours at 40 C° ambient
- LED Driver: limited 5 years

## Mounting Options

### Yoke Mounting Dimensions



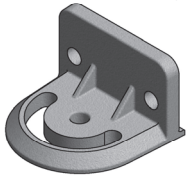
Due to continuing efforts to improve our products, North Star Lighting reserves the right to make changes to this product at any time without prior notice.



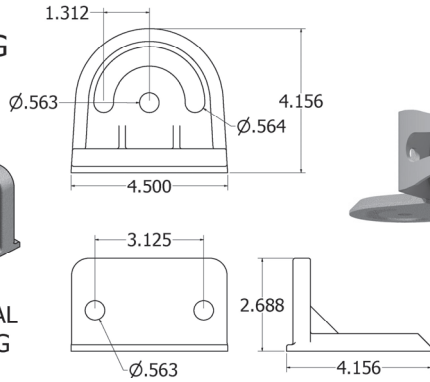
# Capella™ 2

## Mounting Accessories

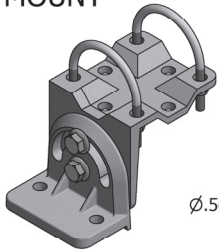
### SB-2 MOUNTING BRACKET



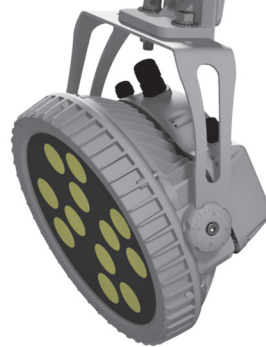
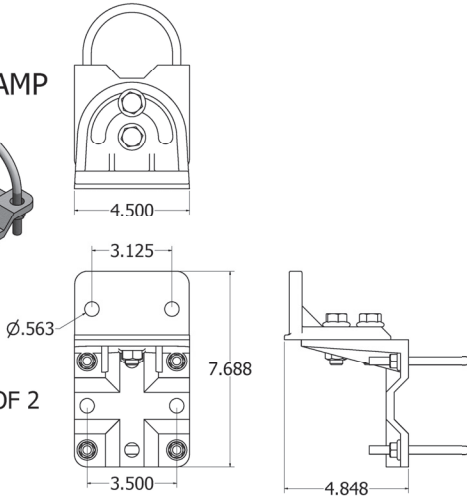
FOR HORIZONTAL YOKE MOUNTING



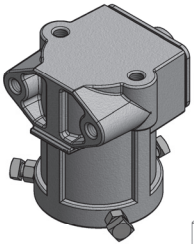
### SB-3 PIPE CLAMP MOUNT



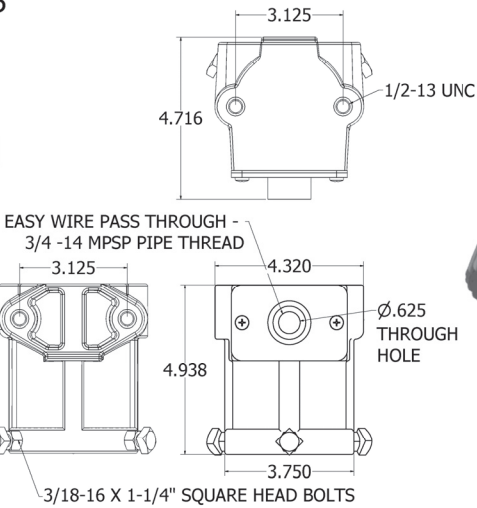
FOR PIPE SIZES OF 2 TO 3 INCHES



### SB-5 POLE TOP SLIP-FITTER



FITS 2" TO 2-1/2" PIPE (2 3/8" TO 2 7/8" OD)



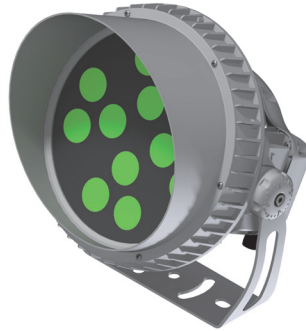
Due to continuing efforts to improve our products, North Star Lighting reserves the right to make changes to this product at any time without prior notice.

# Capella™ 2

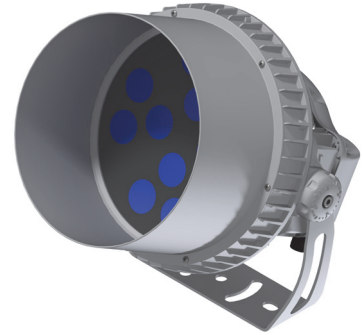
## Glare Control Accessories



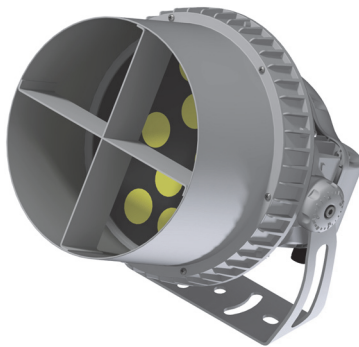
SV – Standard Visor



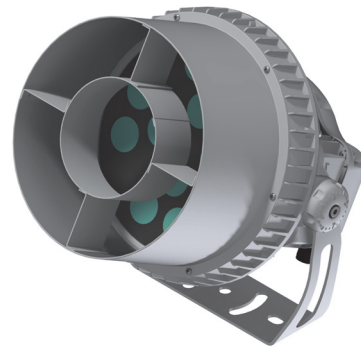
V – Visor



H – Hood

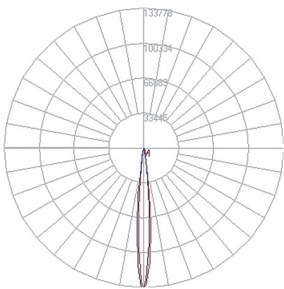


CL – Cross Louver Hood

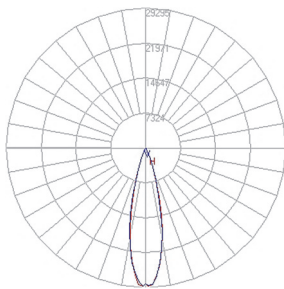


CR – Concentric Ring Louver Hood

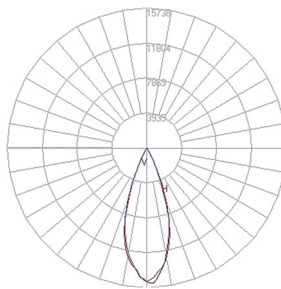
## Beam Distributions



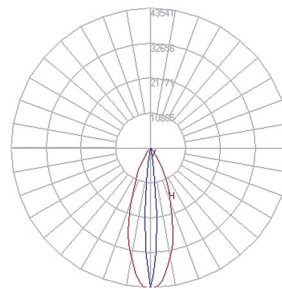
Narrow 10° – D10



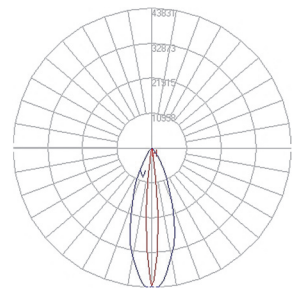
Medium 25° – D25



Wide 35° – D35



Elliptical Horizontal  
35° x 10° – ELH



Elliptical vertical  
10° x 35° – ELV

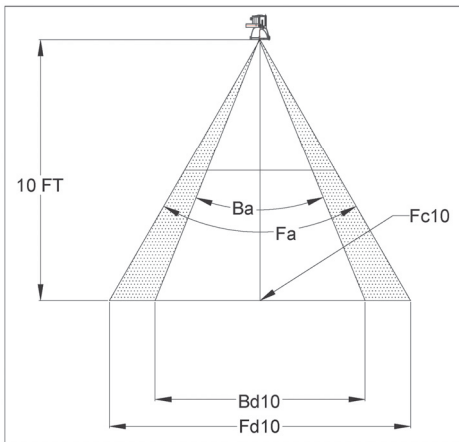
*Due to continuing efforts to improve our products, North Star Lighting reserves the right to make changes to this product at any time without prior notice.*



835 Industrial Drive, Elmhurst, IL 60126 708.681.4330 [www.nslights.com](http://www.nslights.com)

## Photometric Application Data

| Performance Values                       | Optic D10 | Optic D25 | Optic D35 | Optic ELH    | Optic ELV    |
|--|-----------|-----------|-----------|--------------|--------------|
| NEMA Classification                      | 2HX2V     | 3HX3V     | 4HX4V     | 4HX2V        | 2HX4V        |
| Maximum Center Candela Cd-max            | 109,970   | 24,081    | 12,937    | 35,792       | 36,030       |
| Maximum Center Fc @10 ft - Fc10          | 1100      | 241       | 129       | 358          | 360          |
| Beam Angle @ 50% of Max. Fc - Ba degrees | 10        | 25.4      | 35.4      | 35.5 x 9.9   | 9.8 x 35.2   |
| Field Angle @ 10% of Max Fc - Fa degrees | 18.8      | 42.1      | 56        | 64.9 x 17.6  | 17.6 x 64.9  |
| Beam Diameter in feet @10 ft - Bd10      | 1.75      | 4.51      | 6.38      | 6.40 x 1.73  | 1.71 x 6.34  |
| Field Diameter in feet @10 ft - Fd10     | 3.31      | 7.70      | 10.63     | 12.72 x 3.10 | 3.10 x 12.72 |



## Rated Input Power Table

| CAP2C LED Power | Luminaire Rated input Power (AC 50/60 Hz) | Input Current at rated voltage |     |     |     |
|-----------------|---|--------------------------------|-----|-----|-----|
| Watts           | Watts                                     | 120                            | 208 | 240 | 277 |
| 75              | 90  | 0.8                            | 0.4 | 0.4 | 0.3 |
| 34              | 41  | 0.3                            | 0.2 | 0.2 | 0.1 |

## RGBW Output Lumens Table

| Catalog No       | Nominal LED Power (W) | Output Lumens Values |      |     |       |      |       |
|------------------|-----------------------|----------------------|------|-----|-------|------|-------|
|                  |                       | RGBW                 | RGB  | Red | Green | Blue | White |
| <b>CAP2C-75W</b> | <b>75</b>             | 4666                 | 2648 | 639 | 1707  | 303  | 2018  |
| <b>CAP2C-34W</b> | <b>34</b>             | 2502                 | 1420 | 343 | 915   | 162  | 1082  |

NOTE: SEE PHOTOMETRIC APPLICATION DATA FOR SPECIFIC BEAM INFORMATION

Due to continuing efforts to improve our products, North Star Lighting reserves the right to make changes to this product at any time without prior notice.

## Glass Lens Selection Guide

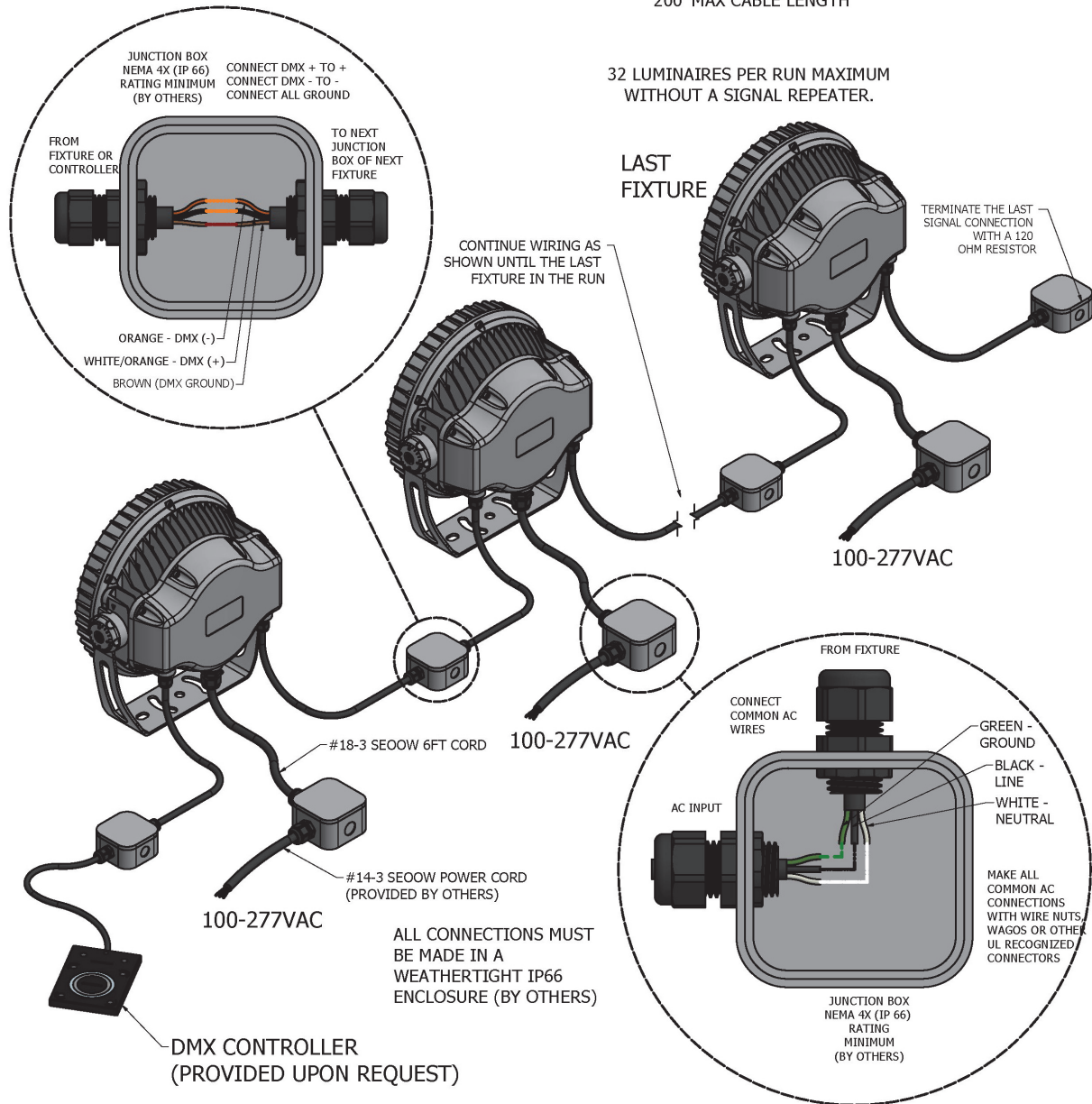
| Primary Optic                              | Standard Clear Glass |                 | Linear Spread Lens (LSL) - For Horizontal/Vertical Spread |                      | Softening Diffuse Lens (SDL) |                 |
|--|----------------------|-----------------|---|----------------------|------------------------------|-----------------|
|  | Beam Angle (°)       | Field Angle (°) | Beam Angle (°)  | Field Angle (°)      | Beam Angle (°)               | Field Angle (°) |
| D10 - 10° Narrow Beam                      | 10                   | 19              | 46 X 10<br>10 X 46  | 90 X 20<br>20 X 90   | 15                           | 30              |
| D25 - 25° Medium Beam                      | 25                   | 42              | 52 X 26<br>26 X 52  | 86 X 43<br>43 X 86   | 28                           | 45              |
| D35 - 35° Wide Beam                        | 35                   | 56              | 72 X 36<br>36 X 72  | 120 X 58<br>58 X 120 | 36                           | 60              |
| ELH - 35° x 10° Elliptical Horizontal Beam | 35 X 10              | 65 X 18         | 60 X 12   | 86 X 43              | 40 X 12                      | 68 X 20         |
| ELV - 10° x 35° Elliptical Vertical Beam   | 10 X 35              | 18 X 65         | 12 X 60   | 43 X 86              | 12 X 40                      | 20 X 68         |

*Due to continuing efforts to improve our products, North Star Lighting reserves the right to make changes to this product at any time without prior notice.*



## WIRING DIAGRAM - COLOR MIXING (DMX)

MAXIMUM RUN LENGTH  
FOR 15 A CIRCUIT AT 120VAC  
USE #14 - 3 POWER CABLES  
JUNCTION BOXES INSTALLED (BY OTHERS)  
WITHIN 6 FEET OF EACH FIXTURE  
200' MAX CABLE LENGTH



RECOMMENDED DMX CABLE - BELDEN 7919A  
OUTDOOR RATED 24AWG BARE COPPER - 4  
TWISTED PAIRS, OVERALL FOIL SHIELDED

NOTE: MAXIMUM TOTAL SIGNAL WIRE MUST NOT BE  
GREATER THAN 1000 FEET WITHOUT A SIGNAL  
REPEATER

NOTE: DMX WIRING MUST BE DONE IN SERIES  
AS SHOWN. USING A Y-SPLIT CONNECTION IS  
**NOT** RECOMMENDED. Y-SPLIT WIRING FOR DMX  
IS NOT RELIABLE. IF A Y-SPLIT MUST BE MADE, A  
SIGNAL REPEATER MUST USED TO SPLIT THE  
SIGNAL.

Due to continuing efforts to improve our products, North Star  
Lighting reserves the right to make changes to this product at any  
time without prior notice.

# Capella™ 2

## Ordering Guide

-  -  -  -  -

| Model Number | LED Power (Watts) | Light Beam Distribution (FWHM)             | Input voltage (VAC)          | Lighting Controls                | Accessories                 |
|--------------|-------------------|--|------------------------------|----------------------------------|-----------------------------|
| CAP2C        | 75 - 75 W         | D10 - 10° Narrow Beam                      | U - 120V-277V                | DMX - DMX Dimming Interface Only | SV - Standard Visor         |
|              | 34 - 34 W         | D25 - 25° Medium Beam                      |                              |                                  | V - Visor                   |
|              |                   | D35 - 35° Wide Beam                        |                              |                                  | H - Hood                    |
|              |                   | ELH - 35° x 10° Elliptical Horizontal Beam |                              |                                  | CL - Cross Louver           |
|              |                   | ELV - 10° x 35° Elliptical Vertical Beam   |                              |                                  | CR - Concentric Ring Louver |
|              |                   | LSL - Linear Spread Lens                   |                              |                                  |                             |
|              |                   |  | SDL - Softening Diffuse Lens |                                  |                             |

Due to continuing efforts to improve our products, North Star Lighting reserves the right to make changes to this product at any time without prior notice.



835 Industrial Drive, Elmhurst, IL 60126 708.681.4330 www.nslights.com